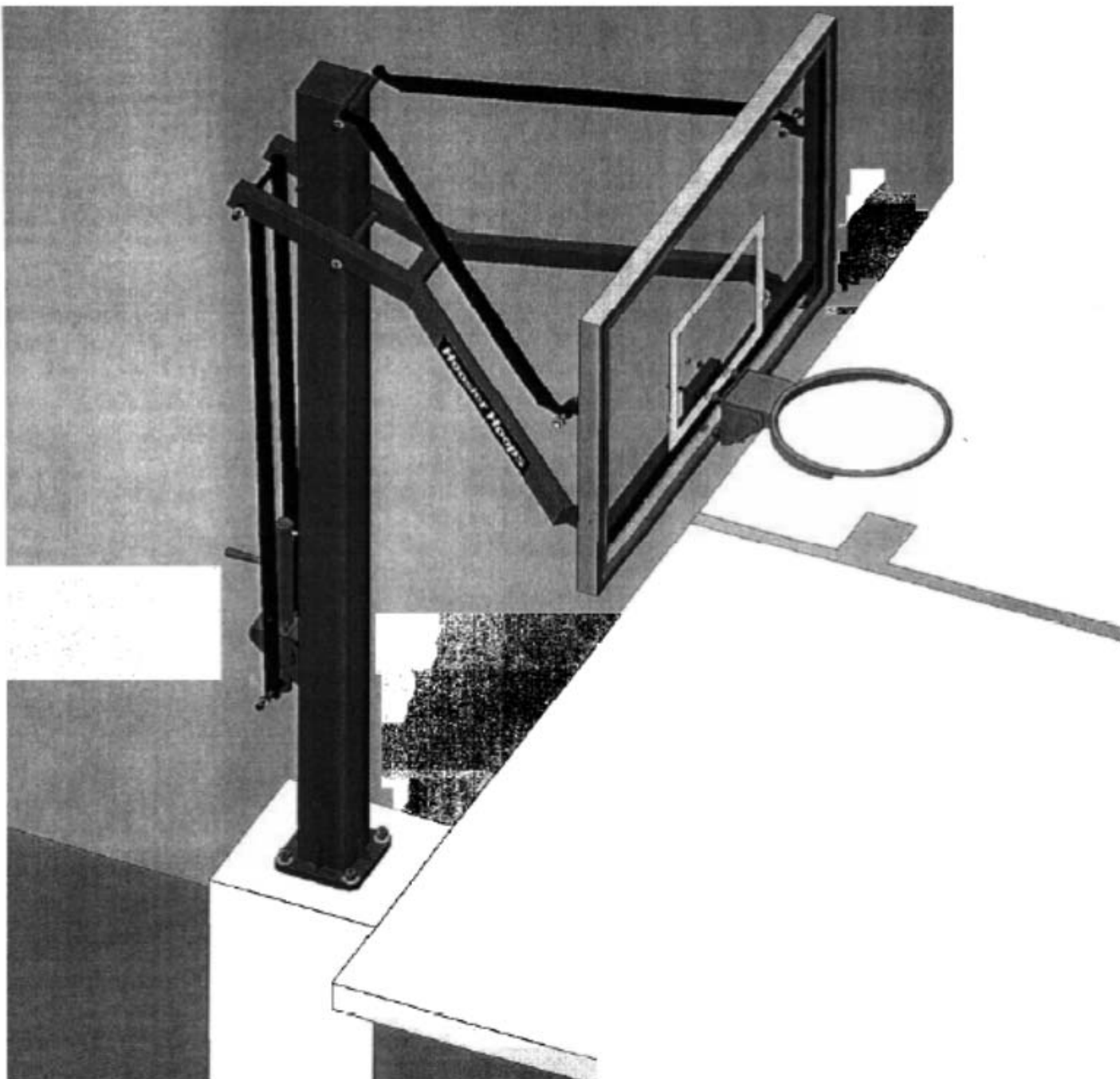


The Raider Series

Raider Series Installation Instructions



Barbarian Basketball Systems Inc.
3340 Applecross Lane
Cumming, GA 30041
1-800-921-5310

OWNER'S MANUAL

WARNING

FAILURE TO FOLLOW THESE WARNINGS MAY RESULT IN SERIOUS INJURY AND/OR PROPERTY DAMAGE.

Owner must ensure that all players know and follow these rules for safe operation of the unit.

Do not hang from any part of the unit, including the backboard, rim, or net.

Do not slide, climb, or play on pole. Keep organic material away from pole base. Grass, litter, etc. could cause corrosion and /or deterioration.

Check pole system twice a year for signs of corrosion (rust, pitting, chipping). Remove rust and/or loose paint completely and repaint with exterior enamel paint. If rust has penetrated through the steel anywhere, replace pole immediately.

Check unit before each use for loose hardware, excessive wear, and signs of corrosion and repair before using.

During play, use extreme caution to keep players' faces away from the backboard, rim, and net.

Wear a mouth guard when playing to avoid dental injuries.

When adjusting height, keep hands and fingers away from moving parts.

During play, do not wear jewelry (rings, watches, necklaces, etc.).

Objects may entangle in net.

These units can be lowered to 6.5 feet. Adult supervision of children is required to ensure their safety during use.

The Raider Series by Barbarian Basketball Systems



MODEL NUMBERS

Raider 54 Raider 72
Raider 60

Thank you for purchasing the Raider Basketball System. We try hard to ensure that our products are of the highest quality and free of manufacturing defects and of missing parts. However, if you have any problems with your basketball system, such as a manufacturing defect or a missing part, please **DO NOT RETURN IT TO THE STORE**. Call us at:

TOLL FREE 1-800-921-5310 FAX: (800) 921-5310

Or write us at:

CUSTOMER SERVICE DEPT., 3340 Applecross Lane Cumming, GA 30041

Please provide model number, serial number, and/or part number of the product and/or part when you call or write. These numbers can be found on the product, packaging, or in this owner's manual.

Do not tighten hardware until instructed to do so. If hardware is tightened too soon, mounting holes may not align and parts may not fit together. Leave locknuts slightly loose until you are instructed to tighten them. Read this manual all the way through before starting to put up your pole. Then read each step completely before beginning that step. Some smaller parts may be shipped inside larger tubes. Check inside tubes before assembling or ordering parts.

Barbarian Basketball Systems™ 1-800-921-5310

www.barbarianbasketballsystems.com

WELCOME TO THE FAMILY OF RAIDER BASKETBALL SYSTEM OWNERS!

In order to have the safest fun and longest use of your Raider Basketball System™, please note and heed the following:

1. Prior to main post preparation and goal assembly, call utility services for location of underground utility lines before you dig.
2. Vertical main post assembly is a two-part process.

PART 1

Day 1. Complete Anchor System Installation per following Instructions.

Day 2. Allow concrete to cure.

Day 3. Allow concrete to cure.

Day 4. Allow concrete to cure.

Day 5. Allow concrete to cure.

Day 6. Allow concrete to cure.

PART 2

Day 7. Complete Raider Basketball System assembly instructions.

3. For safety measures have at least 3 capable persons to assist you in assembly of your Raider Basketball System.

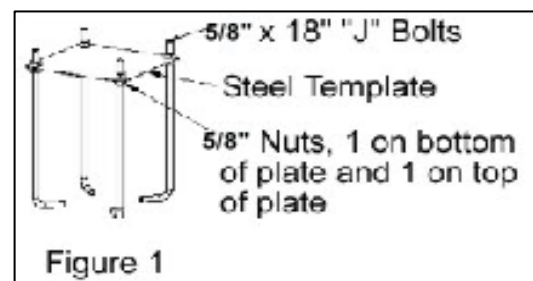
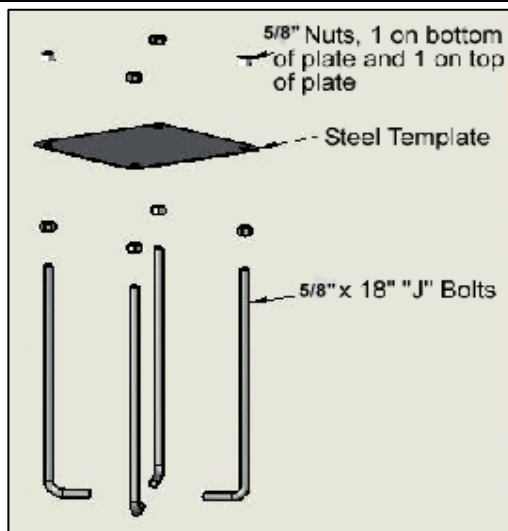
WARNING

Before digging the hole for this pole, check for buried power, gas, water, and telecommunication lines! Failure to do so could result in serious or fatal injury! Contact your local utility company if unsure.

ANCHOR SYSTEM INSTALLATION INSTRUCTIONS (Day 1)

1. Determine the location of the goal. Position the hole close to the playing surface without making contact. Dig a hole 24" x 24" square and 48" below the playing surface. Note softer soil will require a larger hole. (See Figure 1 detail)
2. Assemble anchor system as follows: Screw nuts on to the threads 4" down on the anchor bolt. Insert threads of anchor bolt through hole on anchor plate and secure with another nut. Repeat this step for the remaining anchor bolts. (See Figure 1).

Note the direction of the J-Bolts is really not that important, however we would recommend that all four point to the center of the template as shown.

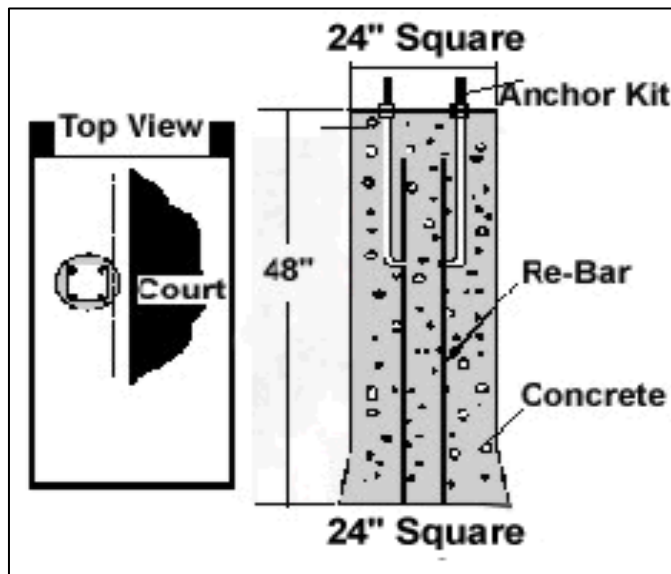


ANCHOR SYSTEM INSTALLATION INSTRUCTIONS

(Day 1) continued:

1. Mix and pour concrete into hole. Follow instructions on concrete bag. Stop about 18" below court level.
 2. Insert four reinforcement bars into concrete 8" apart creating a square in center on hole.
 3. Finish pouring concrete up to court level.
 4. Push anchor system into concrete and agitate to work out voids in concrete. Immediately use a level to level and square anchor plate to playing surface. Clean off any concrete that may be on exposed threads.
- Note: The bottom four nuts will be forever embedded in concrete.
Let concrete stand for a MINIMUM of 7 days.

Figure 1 Detail



Anchor plate must be square to the court so the backboard will line up properly.

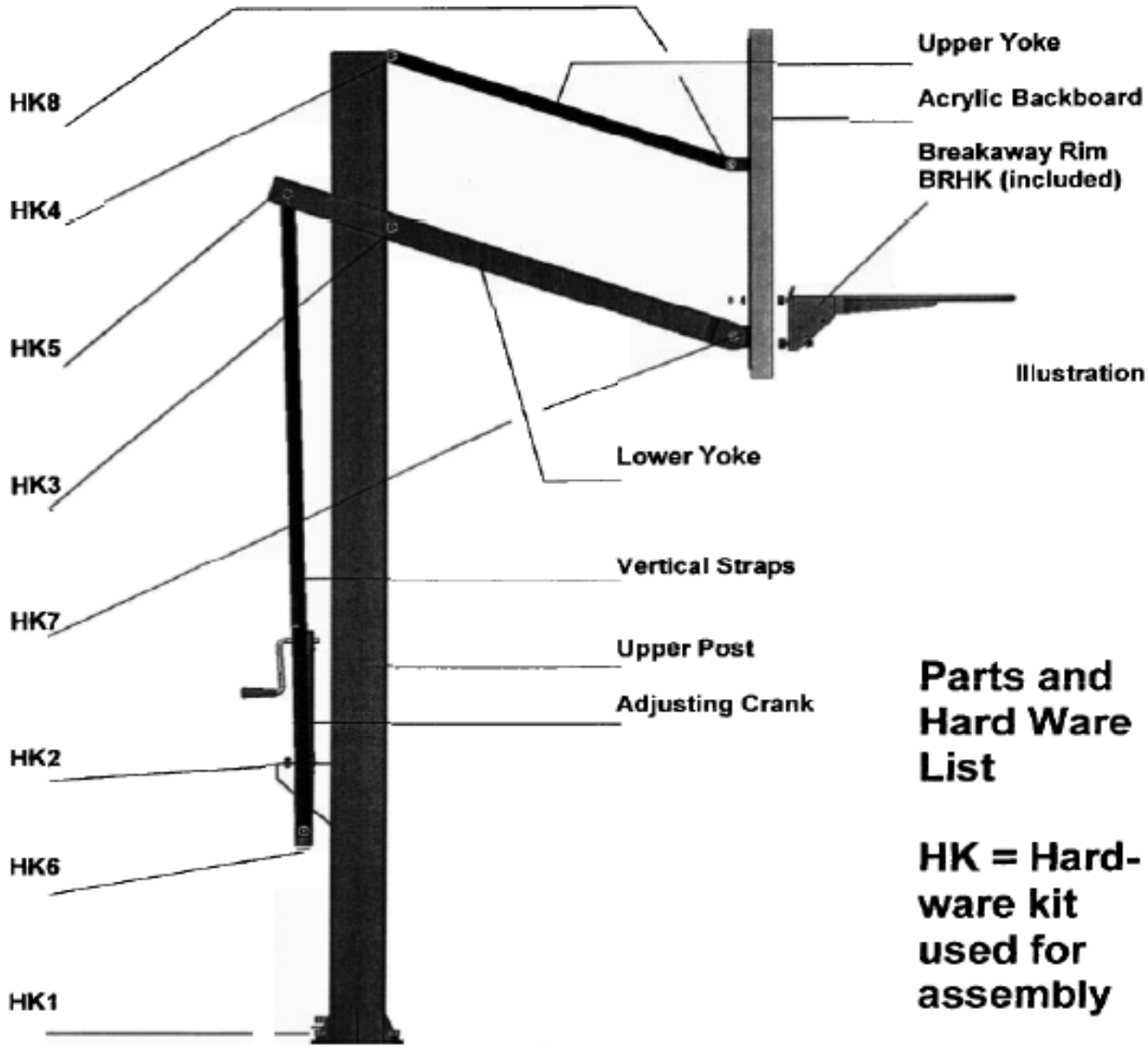


Illustration 2.

**Parts and
Hard Ware
List**

**HK = Hard-
ware kit
used for
assembly**

Please read the complete installation instructions prior to starting step 2.

Step 2. Crank

Caution: When using the Adjusting Crank do not exceed the Travel Limits of the Crank. Exceeding the Crank Limits can Cause Permanent Damage to the Adjusting Crank.

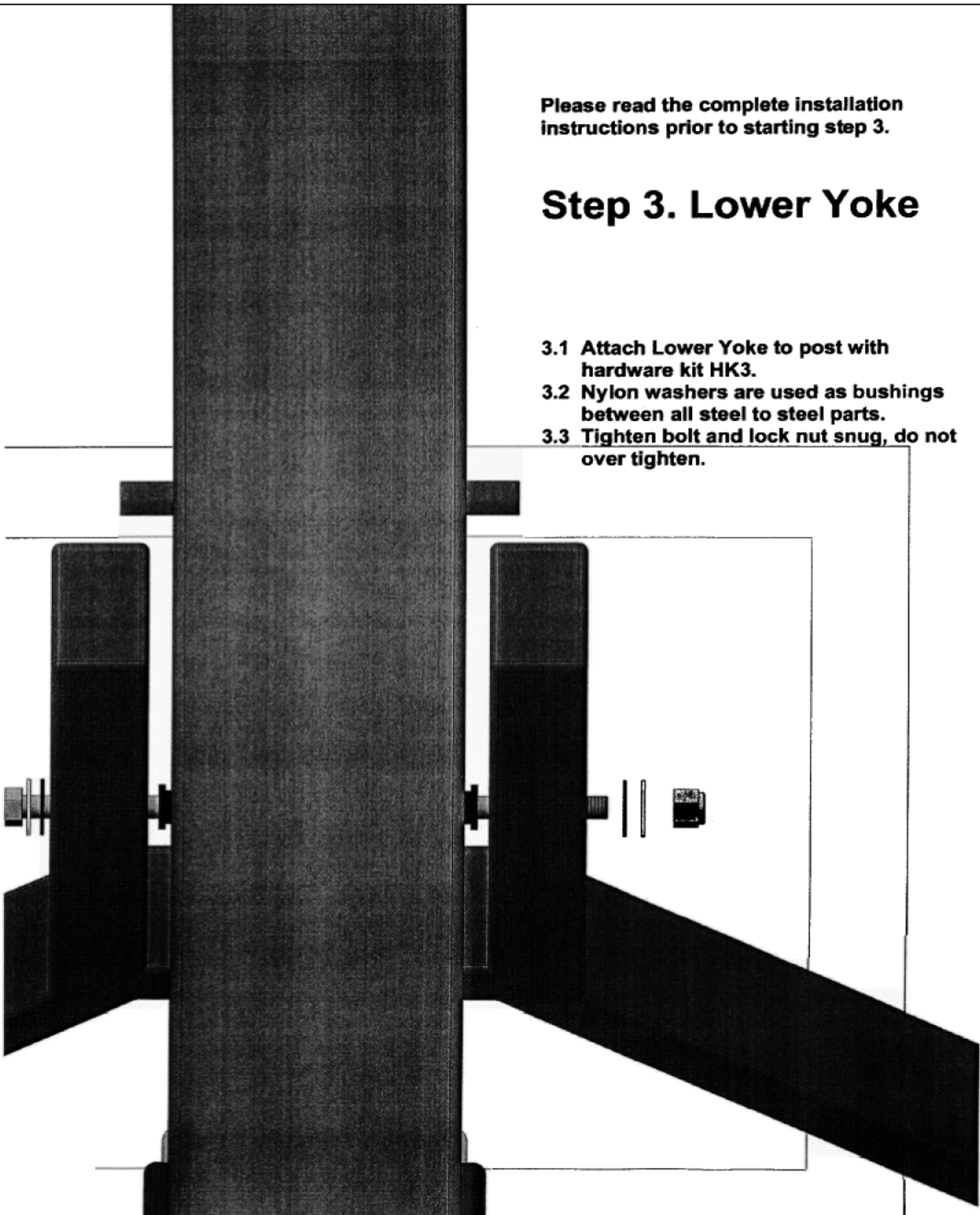
2.1 After concrete is properly cured attach the Adjusting Crank to the flange on the back of the post with hardware kit HK2.



Please read the complete installation instructions prior to starting step 3.

Step 3. Lower Yoke

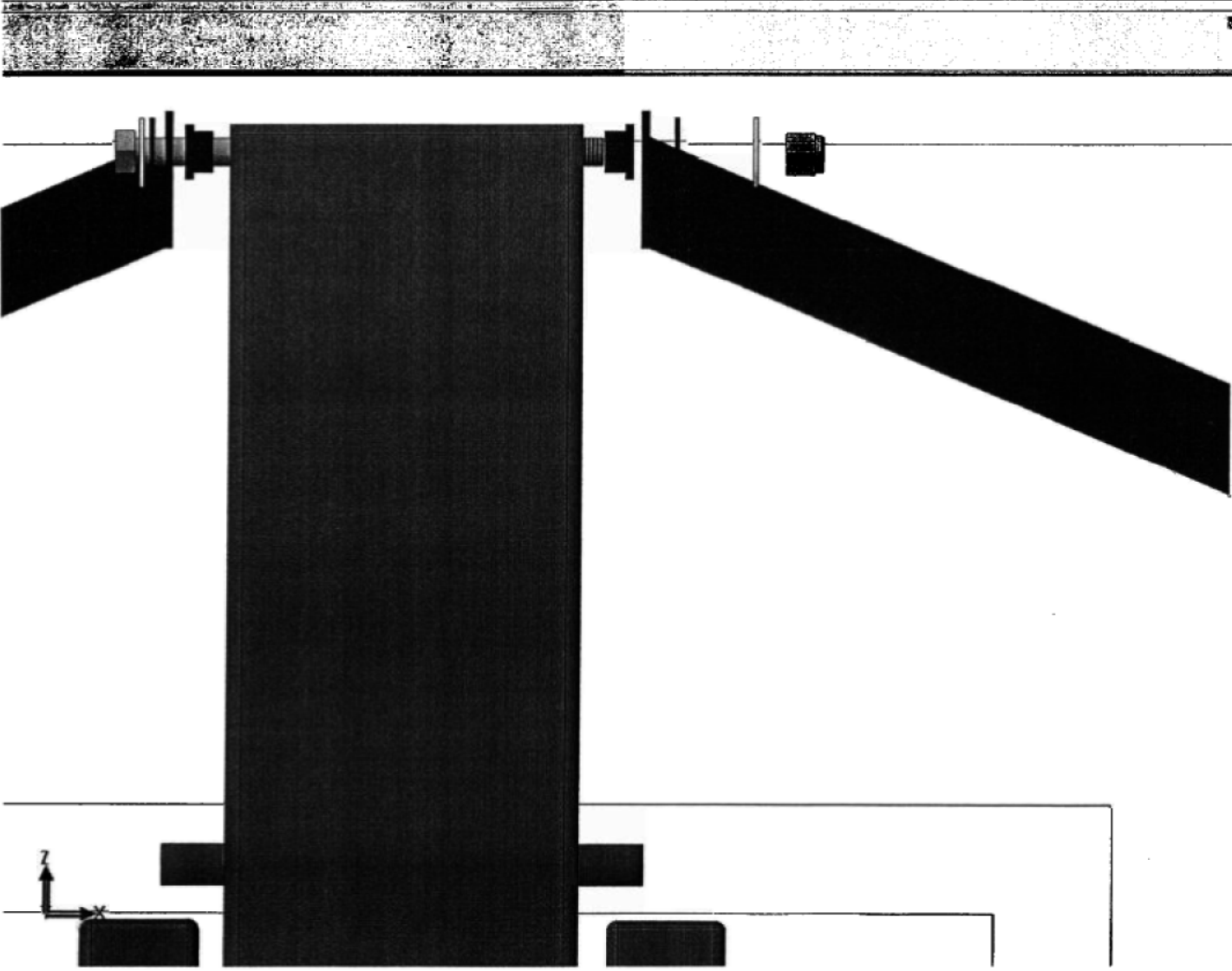
- 3.1 Attach Lower Yoke to post with hardware kit HK3.**
- 3.2 Nylon washers are used as bushings between all steel to steel parts.**
- 3.3 Tighten bolt and lock nut snug, do not over tighten.**



Please read the complete installation instructions prior to starting step 4.

Step 4. Upper Yoke

- 4.1 Attach Upper Yoke parts to top of post with hardware kit HK4
- 4.2 Nylon washers are used as bushings between all steel to steel parts.
- 4.3 Tighten bolt and lock nut snug, do not over tighten.



Please read the complete installation instructions prior to starting step 5.

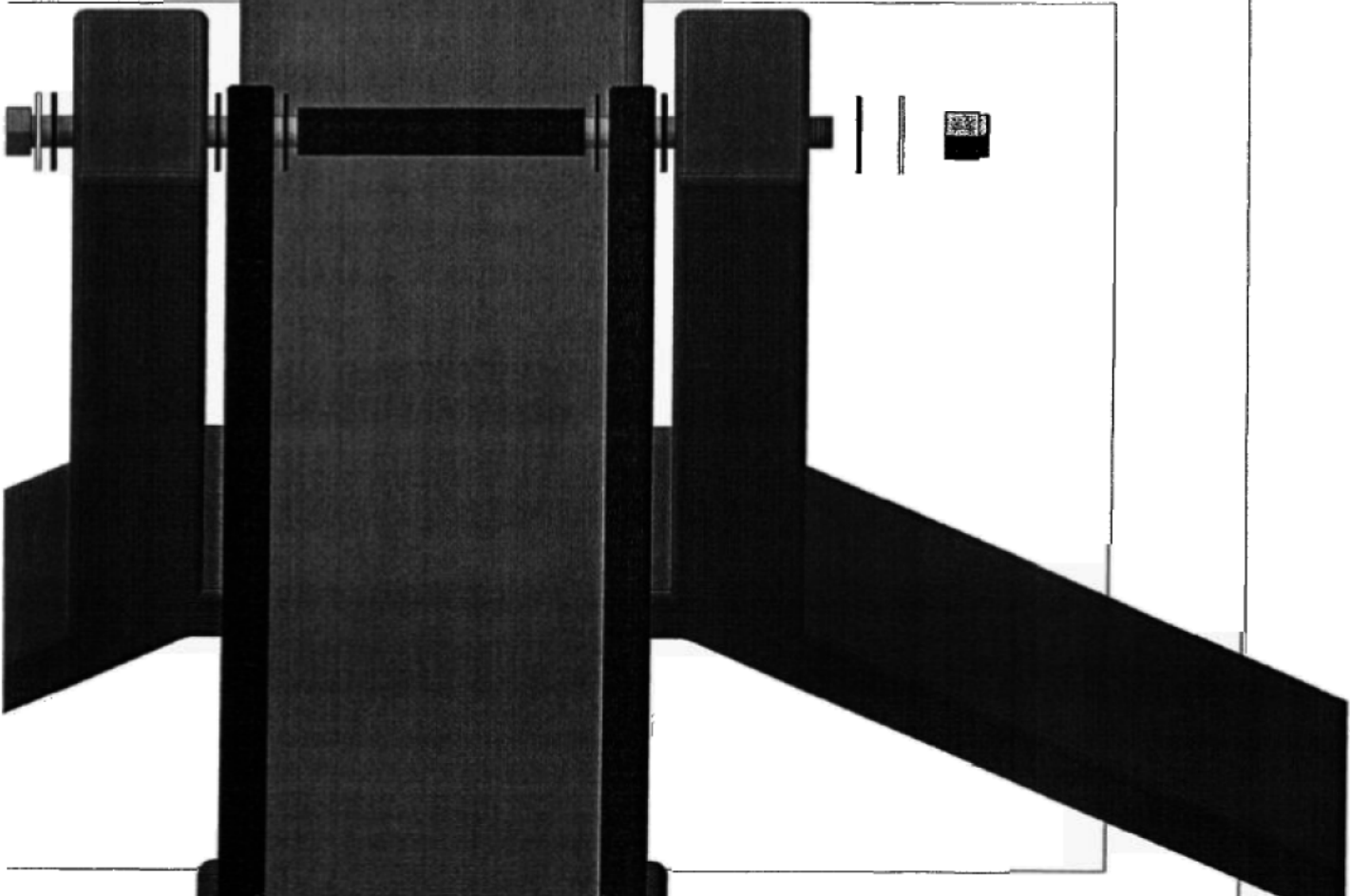
Step 5. Straps

5.1 Attach Vertical Straps to back of the Lower Yoke using hardware kit HK5

5.2 Black Steel Spacer properly spaces Vertical Straps

5.3 Nylon Washers are used as bushings between all steel to steel parts.

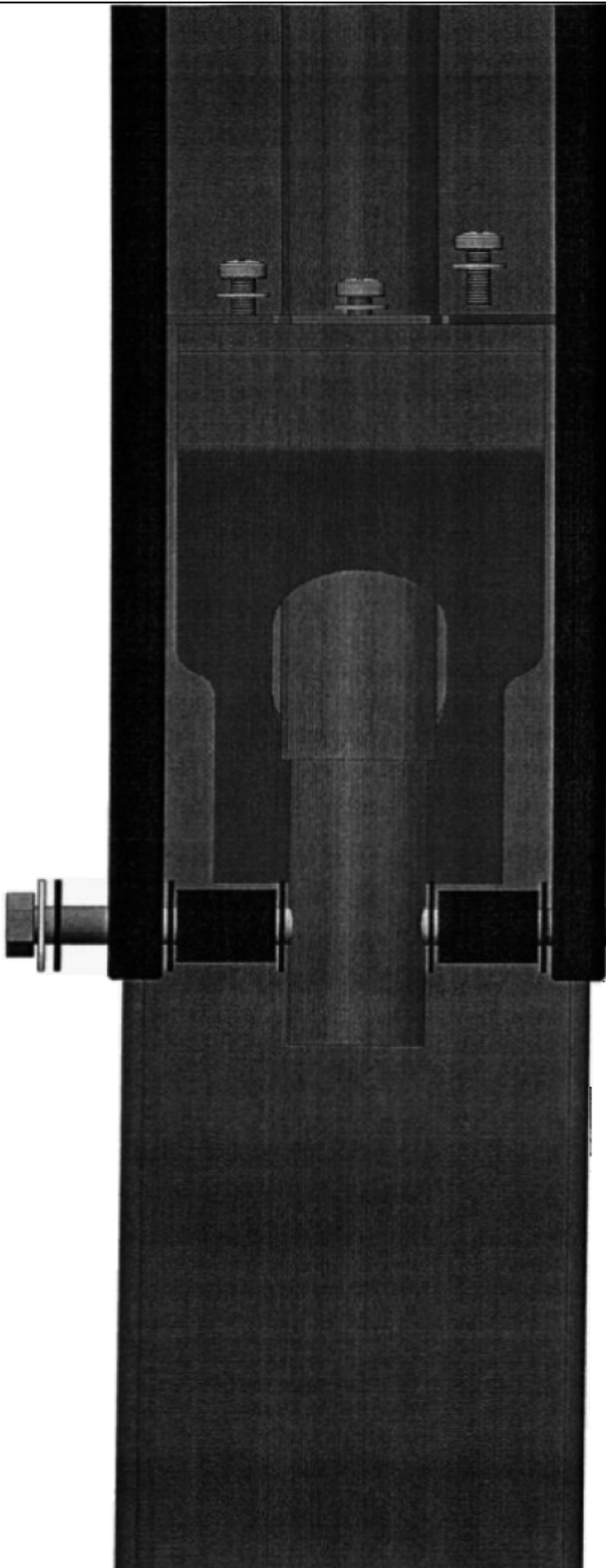
5.4 Tighten bolt and lock nut snug, do not over tighten.



Please read the complete installation instructions prior to starting step 6.

Step 6. Straps

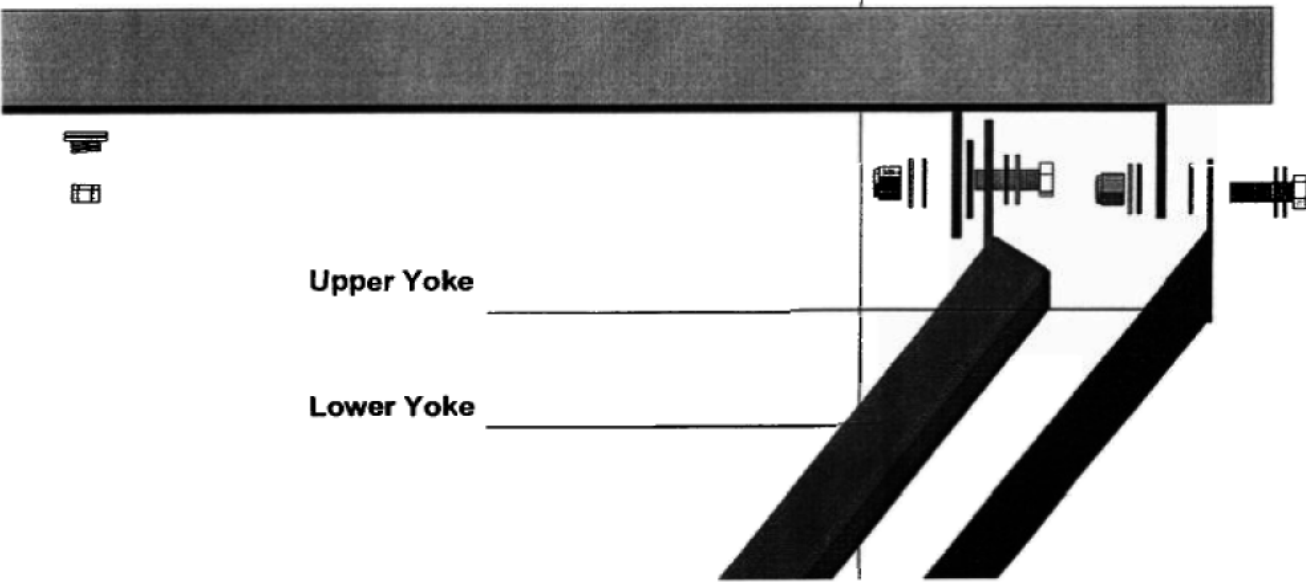
- 6.1 Attach Vertical Straps to bottom of Adjusting Crank using hardware kit HK6.**
- 6.2 Black steel spacers properly space the Vertical Straps.**
- 6.3 Nylon washers are used as bushings between all steel to steel parts.**
- 6.4 Tighten bolt and lock nut snug, do not over tighten**



Please read the complete installation instructions prior to starting step 7.

Step 7. Backboard

- 7.1 Lower Yokes to lowest position.
- 7.2 Attach Acrylic Backboard to Lower Yoke with hardware kit HK7.
- 7.3 Large diameter nylon washer is used as a washer between the Lower Yoke and lower Backboard flange.
- 7.4 Nylon washers are used as bushings between steel to steel parts.
- 7.5 Tighten bolt and lock nut snug, do not over tighten.
- 7.6 Attach Acrylic Backboard to Upper Yokes with hardware kit HK8
- 7.7 Nylon washers are used as bushings between steel to steel parts.
- 7.8 Tighten bolt and lock nut snug, do not over tighten.
- 7.9 Insert 4 Gray plastic Rim Spacers into 4 Rim mounting holes in the front of the Acrylic Backboard before proceeding to step 8. Make sure Rim Spacers are positioned properly as the compression member between the Rim and Backboard Frame.



Breakaway Rim Installation

Tools and Supplies required

1. Ratchet and 3/8 in. socket.
2. Ratchet and 9/16 in. socket
3. 9/16 in. wrench
4. Level

Parts included in Breakaway Rim Box

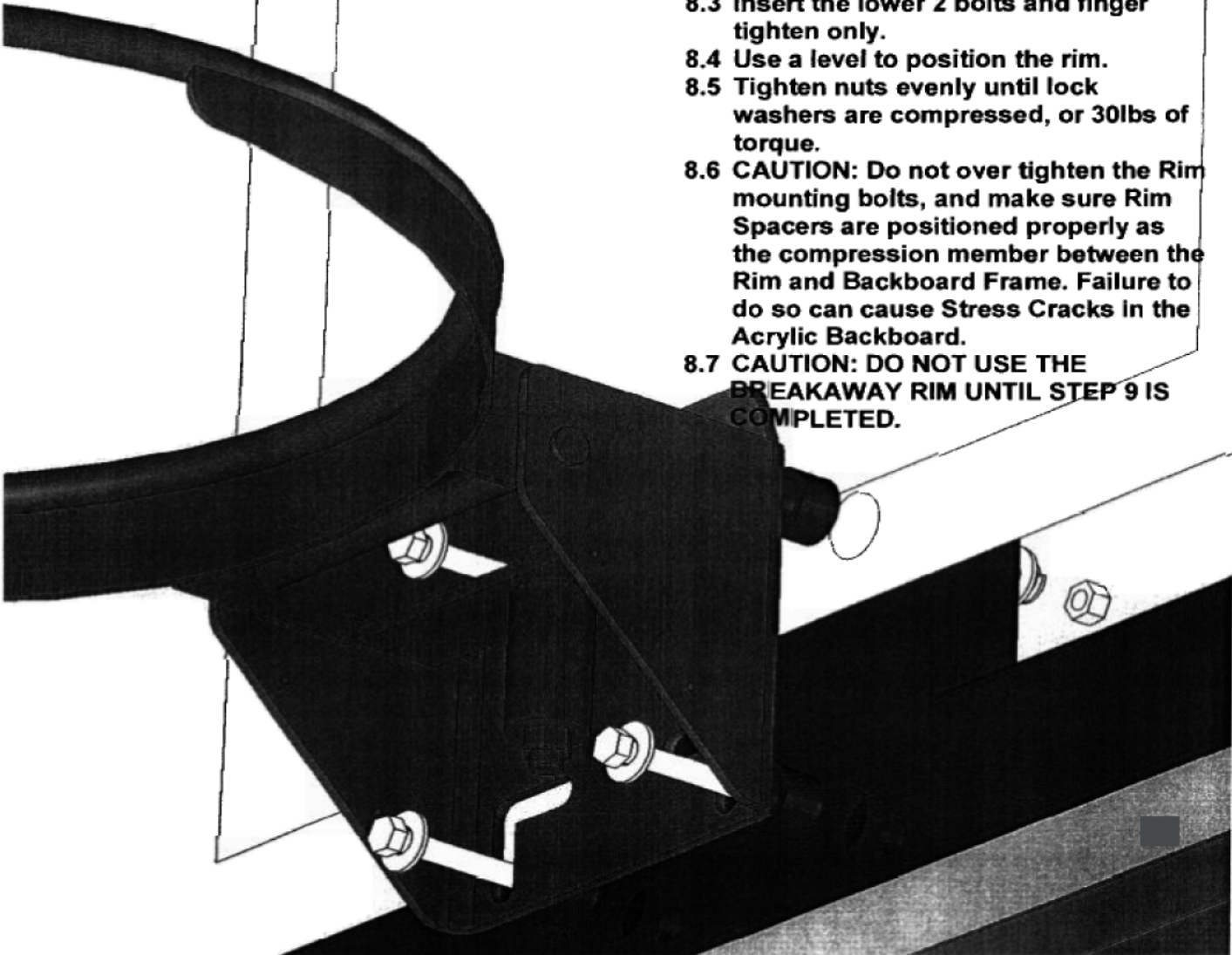
1. Breakaway Rim
2. Cover Plate
3. Rim Hardware Kit, BRHK
4. Net

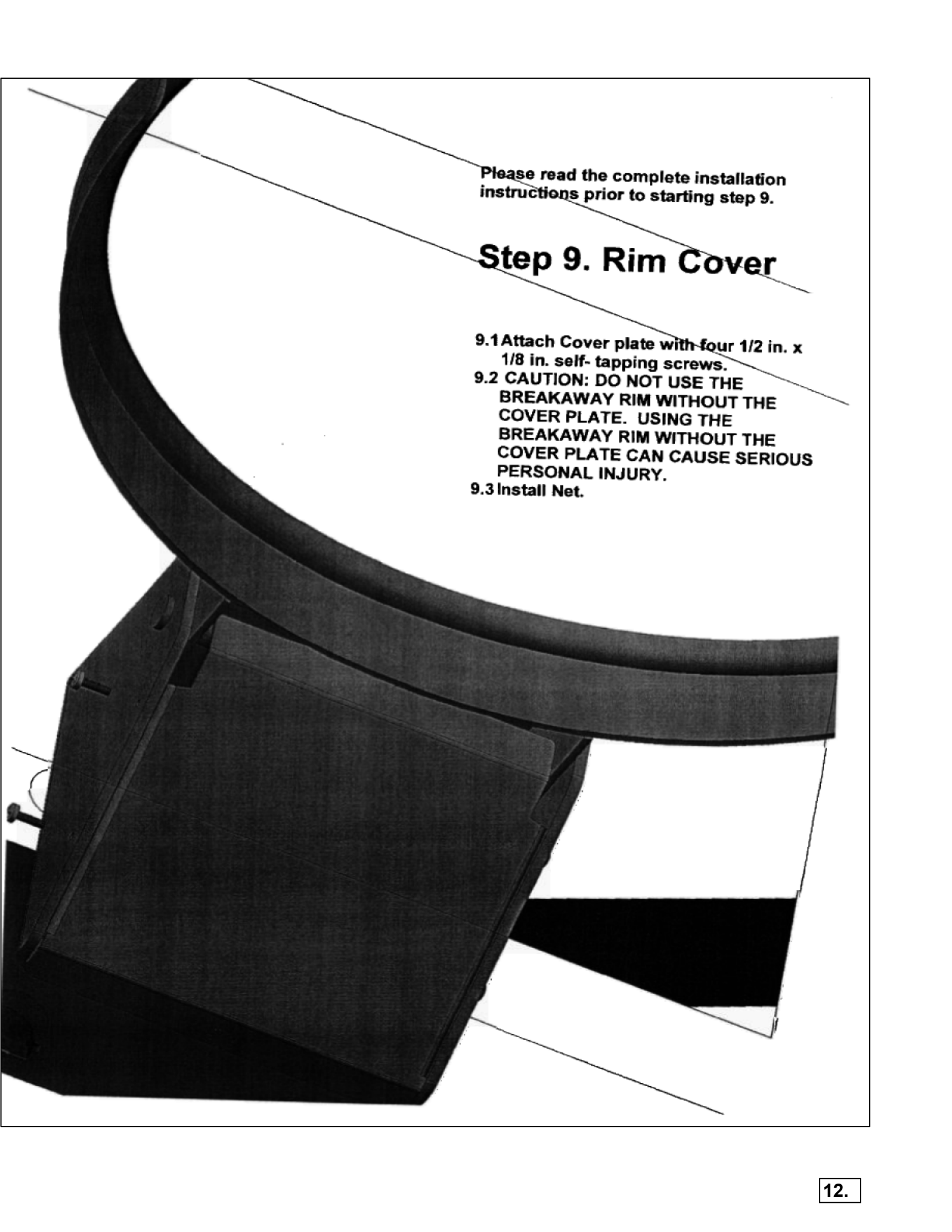
Please read the complete installation instructions prior to starting step 8.

Step 8. Rim

Note: Make sure that Rim Spacers are properly installed in the Acrylic Backboard Rim mounting holes, as described in Step 7.

- 8.1 Attach rim to Acrylic Backboard with hardware kit supplied in Rim Box.
- 8.2 Insert the two top bolts through flat washer, through Rim and hold in place while attaching to Backboard. Finger tighten only.
- 8.3 Insert the lower 2 bolts and finger tighten only.
- 8.4 Use a level to position the rim.
- 8.5 Tighten nuts evenly until lock washers are compressed, or 30lbs of torque.
- 8.6 **CAUTION:** Do not over tighten the Rim mounting bolts, and make sure Rim Spacers are positioned properly as the compression member between the Rim and Backboard Frame. Failure to do so can cause Stress Cracks in the Acrylic Backboard.
- 8.7 **CAUTION: DO NOT USE THE BREAKAWAY RIM UNTIL STEP 9 IS COMPLETED.**





Please read the complete installation instructions prior to starting step 9.

Step 9. Rim Cover

- 9.1 Attach Cover plate with four 1/2 in. x 1/8 in. self-tapping screws.**
- 9.2 CAUTION: DO NOT USE THE BREAKAWAY RIM WITHOUT THE COVER PLATE. USING THE BREAKAWAY RIM WITHOUT THE COVER PLATE CAN CAUSE SERIOUS PERSONAL INJURY.**
- 9.3 Install Net.**

Please read the complete installation instructions prior to starting step 9.

Step 10. Decals

Note: There are 3 Decals included, (the Appearance and color of Decals may vary).

1. Adjusting Crank Decal
2. Calibration Line
3. Hoosier Hoops Logo

Caution: When using the Adjusting Crank do not exceed the Travel Limits of the Crank. Exceeding the Crank Limits can Cause Permanent Damage to the Adjusting Crank.

- 10.1 Use the Adjusting Crank to Raise or lower the Goal until the top front edge of the Rim is 10 Feet above the Court surface.
- 10.2 Apply the Crank Adjustment Decal by locating the bottom of the Decal 13 in. above the Crank mounting flange on the back of the Post, and center the Decal.
- 10.3 Apply the Calibration Line to the Vertical Strap at the 10 ft. mark of the Adjusting Crank Decal.



Adjusting Crank Decal

Calibration Line

Crank Mounting Flange

LIMITED LIFETIME WARRANTY

This consumer warranty extends to the original consumer purchase of any Barbarian Basketball Systems Inc. Product (hereinafter referred to as the "Product").

WARRANTY COVERAGE: Barbarian Basketball Systems Inc. warrants to the original Consumer Purchaser that any Product of its manufacture is free from defects in material and workmanship. **THIS WARRANTY IS VOID IF THE PRODUCT HAS BEEN DAMAGED BY ACCIDENT, UNREASONABLE USE, NEGLIGENCE, IMPROPER SERVICE, FAILURE TO FOLLOW INSTRUCTIONS PROVIDED WITH THE PRODUCT OR OTHER CAUSES NOT ARISING OUT OF DEFECTS IN MATERIAL OR WORKMANSHIP.**

Subject to proper installation and normal use, Barbarian Basketball Systems Inc. warrants, subject to the limitations below, to the original retail purchaser all structural components of the Barbarian Basketball Systems™ to be free of defects in material and workmanship for the duration of ownership by the original retail purchaser. Merchandise must be shipped prepaid with a copy of proof of purchase to Barbarian Basketball Systems Inc. factory for examination to determine if the basketball system needs to be repaired or replaced. Any labor costs, travel expenses and any other changes involved in the removal, installation or replacement of the defective/repared parts from/to your Barbarian Basketball System™ will be the purchaser's responsibility. Shipping charges for replaced or warranted merchandise sent back to the customer from Barbarian Basketball Systems Inc. factory must be prepaid by the customer in advance. If not, the replacement shipment will be sent out collect. Barbarian Basketball Systems Inc. reserves the right to examine photographs or physical evidence of merchandise claimed to be defective, and to recover said merchandise, prior to authorization of warranty claims. A "Returned Goods Authorization" number may be required, please call for details prior to the return of any photographs or merchandise.

This limited lifetime warranty is expressly in lieu of all warranties, expressed or implied, including warranties of merchantability or fitness for use. Barbarian Basketball Systems Inc. does not assume or authorize any person or representative to assume for us, any other liability in connection with the sale of our

products. The remedy of repair or replacement stated above is Barbarian Basketball Systems Inc. exclusive remedy.

Barbarian Basketball Systems Inc. will not be liable for any other damages or expenses which may incur, including but not limited to incidental or consequential damages. Barbarian Basketball Systems Inc. assumes no other obligations or liability on the part of the purchaser, and Barbarian Basketball Systems Inc. neither assumes nor authorizes any other person to assume for it any other liability in connection with the goods sold.

This warranty shall not apply in any manner to parts or accessories not manufactured by Barbarian Basketball Systems Inc.

NOT COVERED BY THIS WARRANTY

Any merchandise subjected to abuse, negligence, improper installation, vandalism, acts of God, alteration of product, or any other events beyond the control of Barbarian Basketball Systems Inc.

Paint or rusted parts.

Rims are not warranted for any defects other than workmanship. Torn back plates, damaged springs, bent rings, damaged eyebolts, and torn or distorted rim supports resulting from hanging on the rim are covered at the discretion of the manufacturer. If a rim is damaged a double static fixed rim will be sent as a replacement.

Shipping charges both ways will be the responsibility of the customer. Note: Any merchandise shipped to Barbarian Basketball Systems Inc. collect will be refused.

Dealer service charges, labor charges and travel expenses associated with replacement of repair of warranty item.

WARRANTY DISCLAIMERS: ANY IMPLIED WARRANTIES ARISING OUT OF THIS SALE, INCLUDING BUT NOT LIMITED TO THE IMPLIED WARRANTIES OF MERCHANTABILITY AND FITNESS FOR A PARTICULAR PURPOSE, ARE LIMITED IN DURATION.

Barbarian Basketball Systems Inc. SHALL NOT BE LIABLE FOR LOSS OF USE OF THE PRODUCT OR OTHER CONSEQUENTIAL OR INCIDENTAL COSTS. EXPENSES OR DAMAGES INCURRED BY THE CONSUMER OF ANY OTHER USE.

Some states do not allow the exclusion or limitation of implied warranties or consequential or incidental damages, so the above limitations or exclusions may not apply to you. **LEGAL REMEDIES:** This warranty gives you specific legal rights, and you may also have other rights which may vary from state to state.

WARRANTY GUIDELINES ARE REQUIRED FOR ALL WARRANTY CLAIMS

1. Proof of Purchase (original retail purchaser) is required for all warranty claims.
2. Call or write Barbarian Basketball Systems Inc. to receive a Return Authorization # and determine specific needs.

Phone: 1-800-921-5310 / Warranty Dept.

Or Write Argent Enterprises Inc. at: Barbarian Basketball Systems Inc.- 3340 Applecross Lane, Cumming, GA 30041 - Attn: Warranty Dept.

Must register to activate warranty.

HK2

Step 2. Crank

Attach Adjusting Crank to Post

- 3 Phillips machine screws 5/16 in. x 1 in.
- 3 Flat washers
- 3 Lock nuts



HK3

Step 3. Lower Yoke

Attach Lower Yoke to Post

- 1 Bolt 1/2 in. x 12 in.
- 1 lock nut
- 2 Flat washers
- 2 Nylon washers
- 2 Nylon bushings



HK4

Step 4. Upper Yoke

Attach Upper Yokes to Post

- 1 Bolt 1/2 in. x 8 in.
- 1 Lock nut
- 2 Flat washers
- 2 Nylon washers
- 2 Nylon bushings



HK5

Step 5. Straps

Attach Vertical Straps to Lower Yoke

- 1 Bolt 1/2 in. x 12 in.
- 1 Lock nut
- 2 flat washers
- 6 Nylon washers
- 1 Black steel Spacer



HK6

Step 6. Straps

Attach Vertical Straps to Adjustment Crank

- 1 Bolt 1/2 in. x 9 in.
- 1 Lock nut
- 2 Flat washers
- 6 Nylon washers
- 2 Black steel spacers



HK7

Step 7. Backboard

Attach Backboard to Lower Yoke

- 2 Bolts 1/2 in. x 1 1/2 in.
- 2 Lock Nuts
- 4 Flat washers
- 4 Nylon washers
- 2 Nylon washers 2 in. dia.

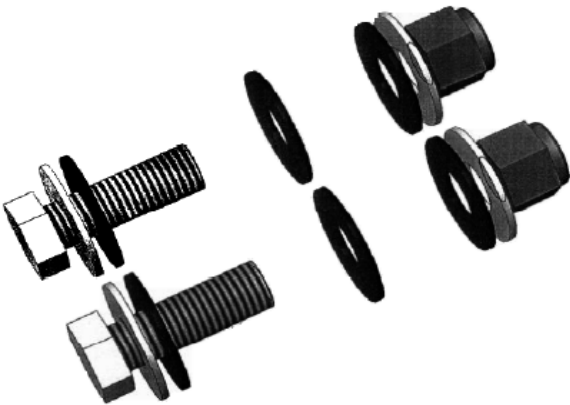


HK8

Step 7. Backboard

Attach Backboard to Upper Yokes

- 2 Bolts 1/2 in. x 1 1/2 in.
- 2 Lock nuts
- 4 Flat washers
- 6 Nylon washers



BRHK

Step 8. RIM

Attach Breakaway Rim to Backboard

Note: Break away Rim hardware Kit BRHK is in the Rim Box

- 4 Bolts 3/8 in. x 2 1/2 in.
- 4 Nuts
- 4 Lock washers
- 8 Flat washers
- 4 Phillips screws 1/8 in. x 1/2 in.

