

the HURRICANE

PORTABLE BASKETBALL SYSTEM



• **HEIGHT ADJUSTABLE** - Adjust the rim to lower heights and the HURRICANE is great for little leagues and youth camps.

• **PORTABILITY** - The HURRICANE rolls easily on 8" non-marking casters and folds into a compact storage position.

• All First Team goals are direct mounted to eliminate backboard breakage when players hang on the rim

• Bolt-on TuffGuard™ backboard padding

• Upper and Lower boom supports

• Base to backboard extension distance is 96"

• Rim height adjusts for smaller players

• Compact & Easy to roll

• Safety padding covers front, sides and back of base unit

• 5" non-marking foot pads lock unit into position for play

Response™ tempered glass

FullTilt™ 180° Breakaway

The Hurricane competition style portable basketball goal is designed for fieldhouse, gymnasium and upper-end recreational or church use.

The Hurricane's massive extension arm features an upper and lower boom support. The extension distance from base to backboard is 96" meeting all NCAA and National High School

Federation requirements. The unit comes equipped with First Team's top of the line FT235 Unbreakable 42"x72" competition tempered glass backboard, FT196 Full-Tilt™ 180° breakaway goal and FT72C TuffGuard™ bolt-on backboard padding. These are the same components used in high schools and colleges throughout the country.

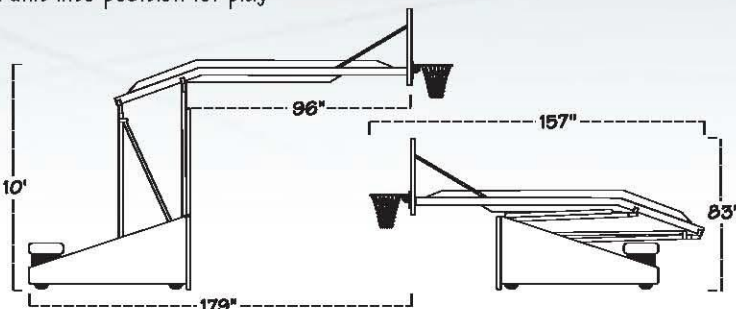
The Hurricane is also height adjustable. Rim height adjustments from 10' down to 6' are made easily with its "Spring-Aided" design. To adjust, simply pull the pin located on the adjustment rod, raise or lower the unit as needed and replace the pin. One person can easily roll the unit into place and set up quickly and easily.

Heavy foam padding, available in an array of colors, protects players on the front, sides and back of the base. The unit is extremely stable as well as durable and will not tip over when players hang on the rim. For additional support, rear hold downs are included as required by the NCAA and NHSF for competition portable goals. Choose the Hurricane Triumph-FL package for installations on floating floors or Hurricane Triumph-ST for all other flooring surfaces.

Floor load on the wheels is: 350 psi.
All Hurricane portable basketball goals are covered by First Team's unmatched Lifetime Superior Warranty!

WARNING!

Failure to install customer supplied ballast according to instructions could result in serious injury.



HURRICANE PACKAGE OPTIONS



Response[™]
tempered glass

HURRICANE TRIUMPH-FL

- Hurricane Portable Base Unit
- Hurricane Base Padding (Any Color)
- FT235 42"x72" Tempered Glass Backboard
- FT196 Full-Tilt Breakaway Goal
- FT72C Backboard Pad (any color)
- Includes optional tie-downs for floating floors
- Lifetime Superior Warranty
- Approx. Shipping Weight: 1590 lbs.



Order Hurricane Triumph-FL for floating floor anchors



Response[™]
tempered glass

HURRICANE TRIUMPH-ST

- Hurricane Portable Base Unit
- Hurricane Base Padding (Any Color)
- FT235 42"x72" Tempered Glass Backboard
- FT196 Full-Tilt Breakaway Goal
- FT72C Backboard Pad (any color)
- Includes optional tie-downs for standard floors
- Lifetime Superior Warranty
- Approx. Shipping Weight: 1590 lbs.

Order Hurricane Triumph-ST for standard floor anchors



KY Royal Blue	SC Scarlet	GL Gold	PR Purple	KG Kelly Green	BK Black	CB Columbia Blue	MR Maroon	GR Grey	NB Navy Blue	OR Orange	FG Forest Green	BR Brick Red	SO Sienna Orange	DG Desert Gold	SB Saddle Brown
-------------------------	----------------------	-------------------	---------------------	--------------------------	--------------------	----------------------------	---------------------	-------------------	------------------------	---------------------	---------------------------	------------------------	----------------------------	--------------------------	---------------------------

Hurricane base padding is available in these colors. Shades may vary slightly from color chart.

www.InstitutionalBasketballSystems.com | Tom Nicotera | 877.272.5430

The Nation's largest independent commercial dealer. Please allow me an opportunity to earn your business.