

First Team Legend Excel



LEGEND EXCEL - regulation size 42x72" white powder coated steel board, heavy duty-breakaway goal or fixed, unbreakable double rim goal (your choice), net

Optional post/board pad set, 5 colors. FREE lettering on the post padding.

The Legend offers exceptional rigidity, uncompromising durability and maximum safety even on the toughest courts! Built from heavy 6" square, 3/16" thick steel tubing, the Legend provides unmatched stability and durability. Designed for the most rugged playgrounds, the Legend performs equally well on the home court. The post is positioned 66" behind the backboard for safety.

The extension arm on the Legend is attached to the vertical post via six 5/8" high tensile bolts. Though the Legend is considered a "Fixed Height" goal, the extension arm can be bolted at any height along the post giving you the flexibility to set the goal height.

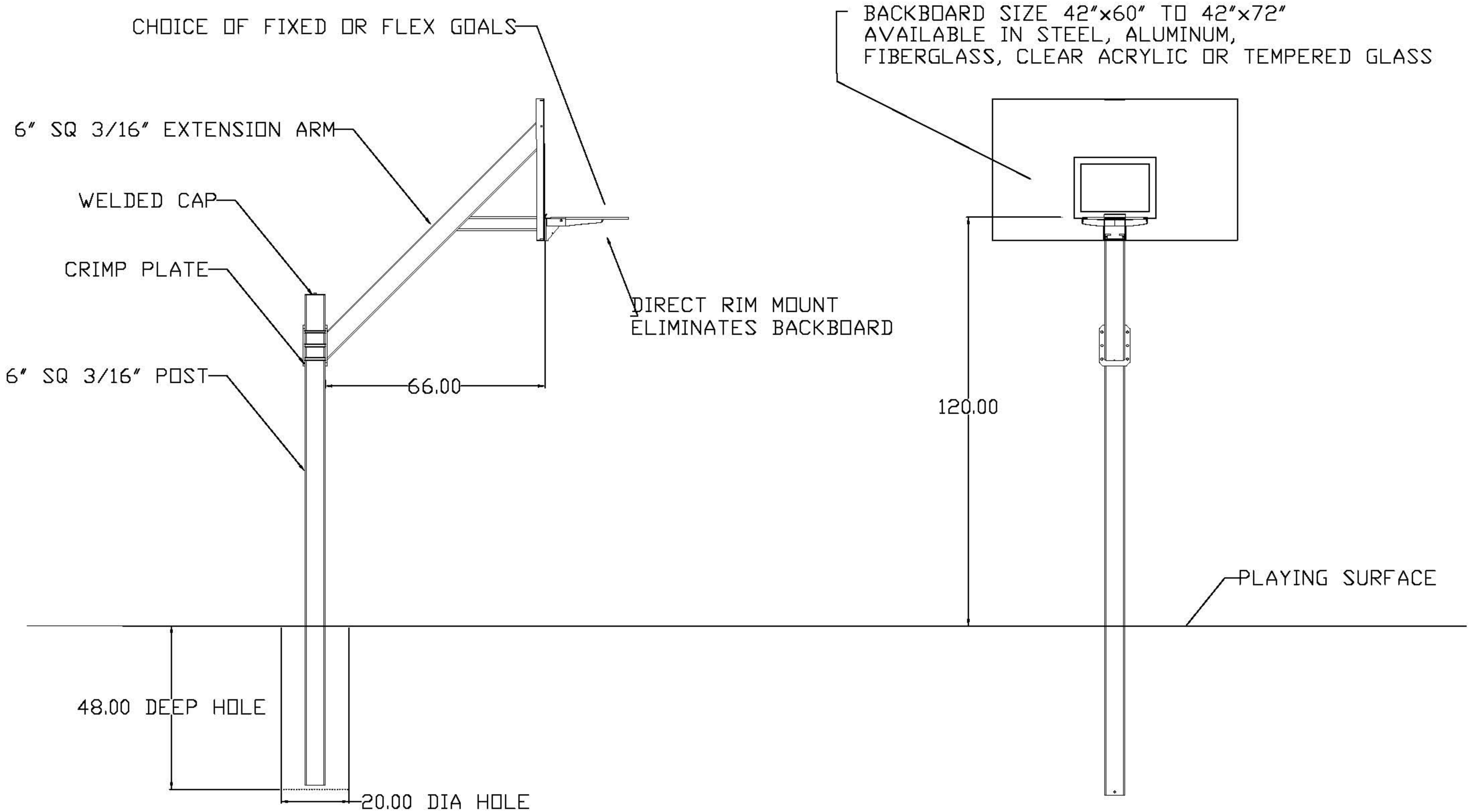
First Team offers an array of backboards and rims with the Legend. Our Response™ tempered glass backboard offers the same look and authentic ball rebound enjoyed by college and professional players.

Every Legend package comes with a Lifetime Superior Warranty which covers deliberate hanging on the rim by multiple players.

FIRST TEAM SPORTS INC.
HUTCHINSON, KS 67501

LEGEND BASKETBALL GOAL
PRODUCT SUBMITTAL

www.InstitutionalBasketballSystems.com | Tom Nicotera | 877.272.5430



Legend 66" post to board extension

