

## **First Team PowerMount Aggressor**



The PowerMount shooting station is designed to allow backboard installations in tight spaces where playing area is at a premium. If your facility requires a backboard installation close to a wall, call on First Team's PowerMount series!

The PowerMount structure provides quick and easy installation of a backboard on a wall with a minimal 12" of wall-to-backboard distance. First Team provides an array of prepackaged PowerMount options to choose from. The PowerMount can be used with ANY backboard having a standard 20"x35" mounting. However, selecting a PowerMount package is easy and guarantees component compatibility.

All PowerMount packages come with a Limited Lifetime Warranty.

**Includes all mounting hardware and installation instructions.**

**Optional board padding available in color choice.**

**Optional height adjuster for 8-10' rim height available.**

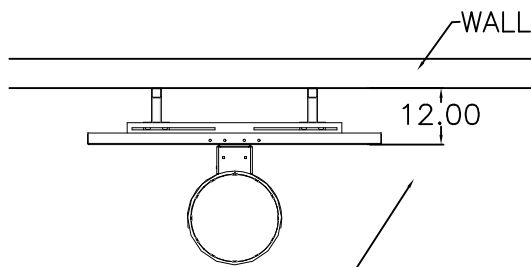
**POWERMOUNT AGGRESSOR - 12" extension structure, 42x60" white powder coated steel board, heavy duty breakaway rim, net**

FIRST TEAM SPORTS INC.  
HUTCHINSON, KS 67501

1-800-649-3688  
www.firstteaminc.com

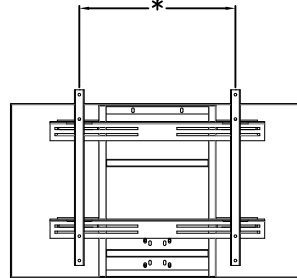
POWERMOUNT BASKETBALL GOAL  
PRODUCT SUBMITTAL

TOP VIEW

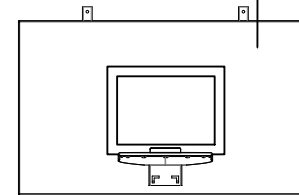


BACKBOARD SIZE 36"x60" TO 42"x72"  
AVAILABLE IN TEMPERED GLASS,  
CLEAR ACRYLIC, STEEL, ALUMINUM  
OR FIBERGLASS

DISTANCE VARIABLE  
FROM 12" TO 38"

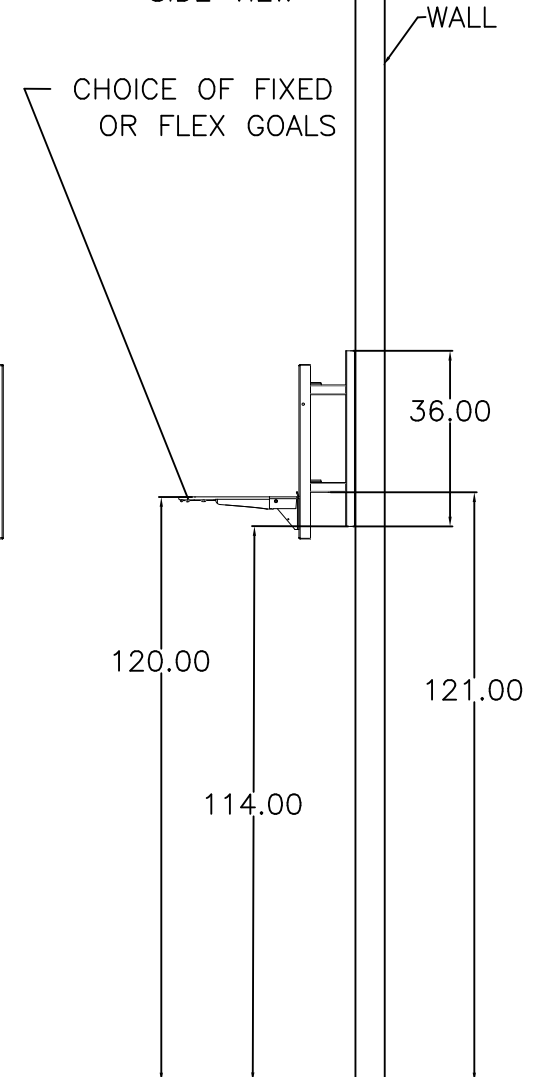


BACK VIEW



FRONT VIEW

SIDE VIEW



ALLOW 15" WALL TO  
BACKBOARD IF FT300  
HEIGHT ADJUSTER IS USED

PLAYING SURFACE

FIRST TEAM SPORTS INC.  
HUTCHINSON, KS 67501

FT300 HEIGHT ADJUSTER  
PRODUCT SUBMITTAL

www.InstitutionalBasketballSystems.com | Tom Nicotera | 877-272-5430

