

First Team PowerMount Performance



The PowerMount shooting station is designed to allow backboard installations in tight spaces where playing area is at a premium. If your facility requires a backboard installation close to a wall, call on First Team's PowerMount series!

The PowerMount structure provides quick and easy installation of a backboard on a wall with a minimal 12" of wall-to-backboard distance. First Team provides an array of prepackaged PowerMount options to choose from. The PowerMount can be used with ANY backboard having a standard 20"x35" mounting. However, selecting a PowerMount package is easy and guarantees component compatibility.

All PowerMount packages come with a Limited Lifetime Warranty.

Includes all mounting hardware and installation instructions.

Optional board padding available in color choice.

Optional height adjuster for 8-10' rim height available.

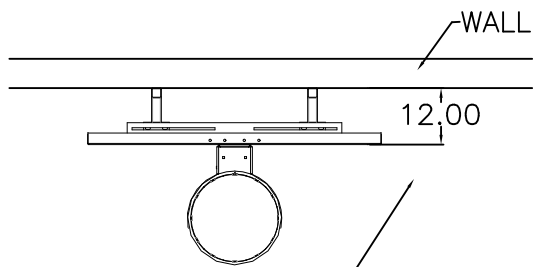
POWERMOUNT PERFORMANCE - 12" extension structure, 42x72" white fiberglass board, heavy duty breakaway rim, net

FIRST TEAM SPORTS INC.
HUTCHINSON, KS 67501

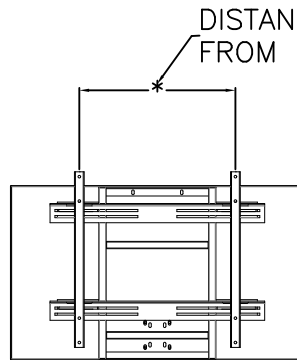
1-800-649-3688
www.firstteaminc.com

POWERMOUNT BASKETBALL GOAL
PRODUCT SUBMITTAL

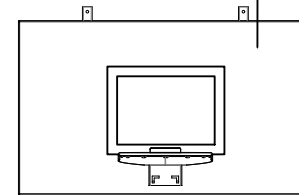
TOP VIEW



BACKBOARD SIZE 36"x60" TO 42"x72"
AVAILABLE IN TEMPERED GLASS,
CLEAR ACRYLIC, STEEL, ALUMINUM
OR FIBERGLASS

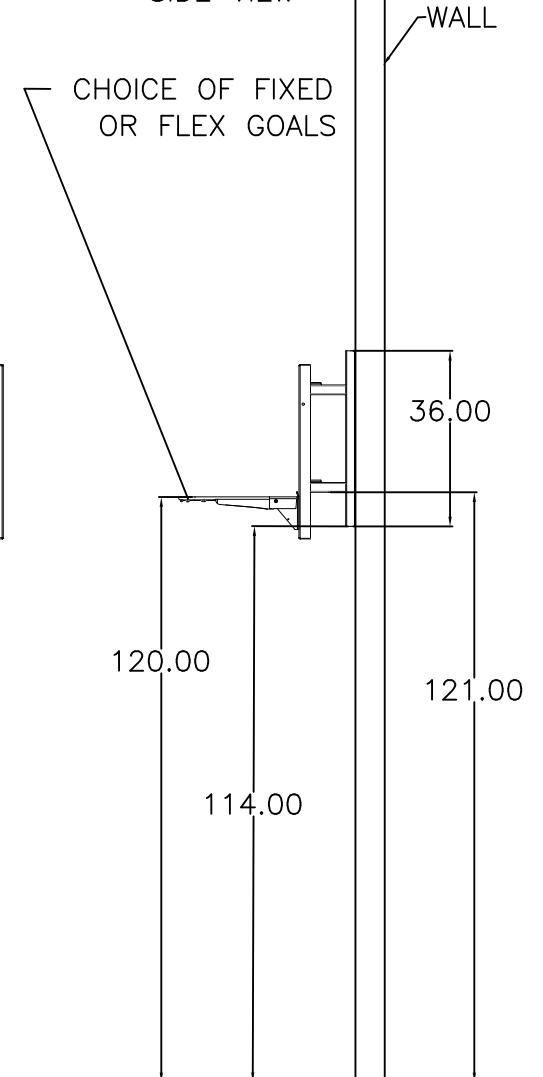


BACK VIEW



FRONT VIEW

SIDE VIEW



ALLOW 15" WALL TO
BACKBOARD IF FT300
HEIGHT ADJUSTER IS USED

PLAYING SURFACE

FIRST TEAM SPORTS INC.
HUTCHINSON, KS 67501

FT300 HEIGHT ADJUSTER
PRODUCT SUBMITTAL

www.InstitutionalBasketballSystems.com | Tom Nicotera | 877-272-5430

