

First Team PowerMount Rebound



The PowerMount shooting station is designed to allow backboard installations in tight spaces where playing area is at a premium. If your facility requires a backboard installation close to a wall, call on First Team's PowerMount series!

The PowerMount structure provides quick and easy installation of a backboard on a wall with a minimal 12" of wall-to-backboard distance. First Team provides an array of prepackaged PowerMount options to choose from. The PowerMount can be used with ANY backboard having a standard 20"x35" mounting. However, selecting a PowerMount package is easy and guarantees component compatibility.

All PowerMount packages come with a Limited Lifetime Warranty.

Includes all mounting hardware and installation instructions.

Optional board padding available in color choice.
Optional height adjuster for 8-10' rim height available.

POWERMOUNT SUPREME - 12" extension structure, regulation size 42x72x1/2" clear acrylic board, heavy duty breakaway rim, net

POWERMOUNT COMPETITOR - 12" extension structure, regulation 42x72x1/2" tempered glass board, heavy duty breakaway rim, net

POWERMOUNT SELECT - 12" extension structure, 36x60x1/2" clear acrylic board, heavy duty breakaway rim, net

POWERMOUNT PRO - 12" extension structure, 36x60x1/2" tempered glass board, heavy duty breakaway rim, net

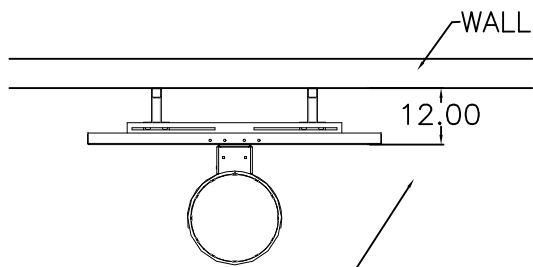
POWERMOUNT REBOUND - 12" extension structure, 39x54" fan shaped fiberglass board, heavy duty breakaway rim, net

FIRST TEAM SPORTS INC.
HUTCHINSON, KS 67501

1-800-649-3688
www.firstteaminc.com

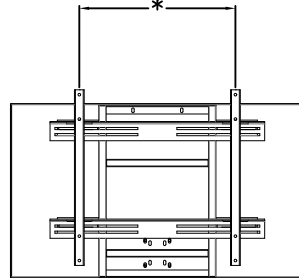
POWERMOUNT BASKETBALL GOAL
PRODUCT SUBMITTAL

TOP VIEW

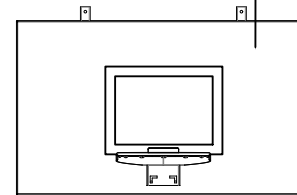


BACKBOARD SIZE 36"x60" TO 42"x72"
AVAILABLE IN TEMPERED GLASS,
CLEAR ACRYLIC, STEEL, ALUMINUM
OR FIBERGLASS

DISTANCE VARIABLE
FROM 12" TO 38"



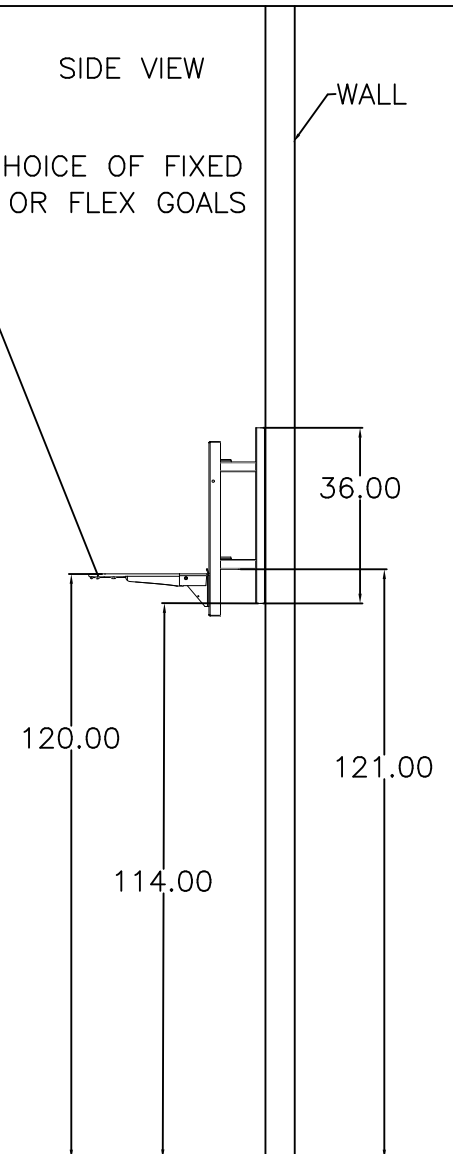
BACK VIEW



FRONT VIEW

SIDE VIEW

CHOICE OF FIXED
OR FLEX GOALS



ALLOW 15" WALL TO
BACKBOARD IF FT300
HEIGHT ADJUSTER IS USED

PLAYING SURFACE