

First Team



- Optional bolt-on TuffGuard backboard padding
- Rim height adjusts for smaller players
- Hand crank height adjustment from 10' to 6'6"
- Direct mount goal to eliminate backboard stress
- Safety padding covers front, side and rear of base unit
- All steel components are powder coated to protect against the elements
- Rolls easily on 3 non-marking casters
- Compact and easy to roll
- Post to backboard extension is 30" at all goal heights
- Ballast not included.

The Rampage portable basketball goal is by far the best performing unit in its class. No other portable goal offers this level of rigidity, portability and simple height adjustment at such an affordable price. Infinite rim height adjustment can be made with the easy crank handle located on the back of the vertical mast. The rim height indicator labels determine rim heights from 10' to 6'6". The Rampage uses our exclusive crank-up design, which is far superior to similar goals using "spring-slide" methods. The Rampage can easily be transported across a gym floor or up a driveway. Simply depress the foot lever located on the base unit for transport. Flip the lever back up for play. The extension arm drops down easily without tools to allow the Rampage to pass under doorways for storage rooms or garages. The backboard to base extension is 30" at all rim heights. The front base extension is 30" at all rim heights. The front base and stem are covered with thick vinyl padding for player safety. Padding is available in several choices of colors.

Includes all mounting hardware and installation instructions.

BALLAST NOT INCLUDED: This system requires a recommended 300 lbs of ballast. Recommend solid concrete blocks from local home improvement center. 4"x8"x16", 2"x6"x14" blocks or like.

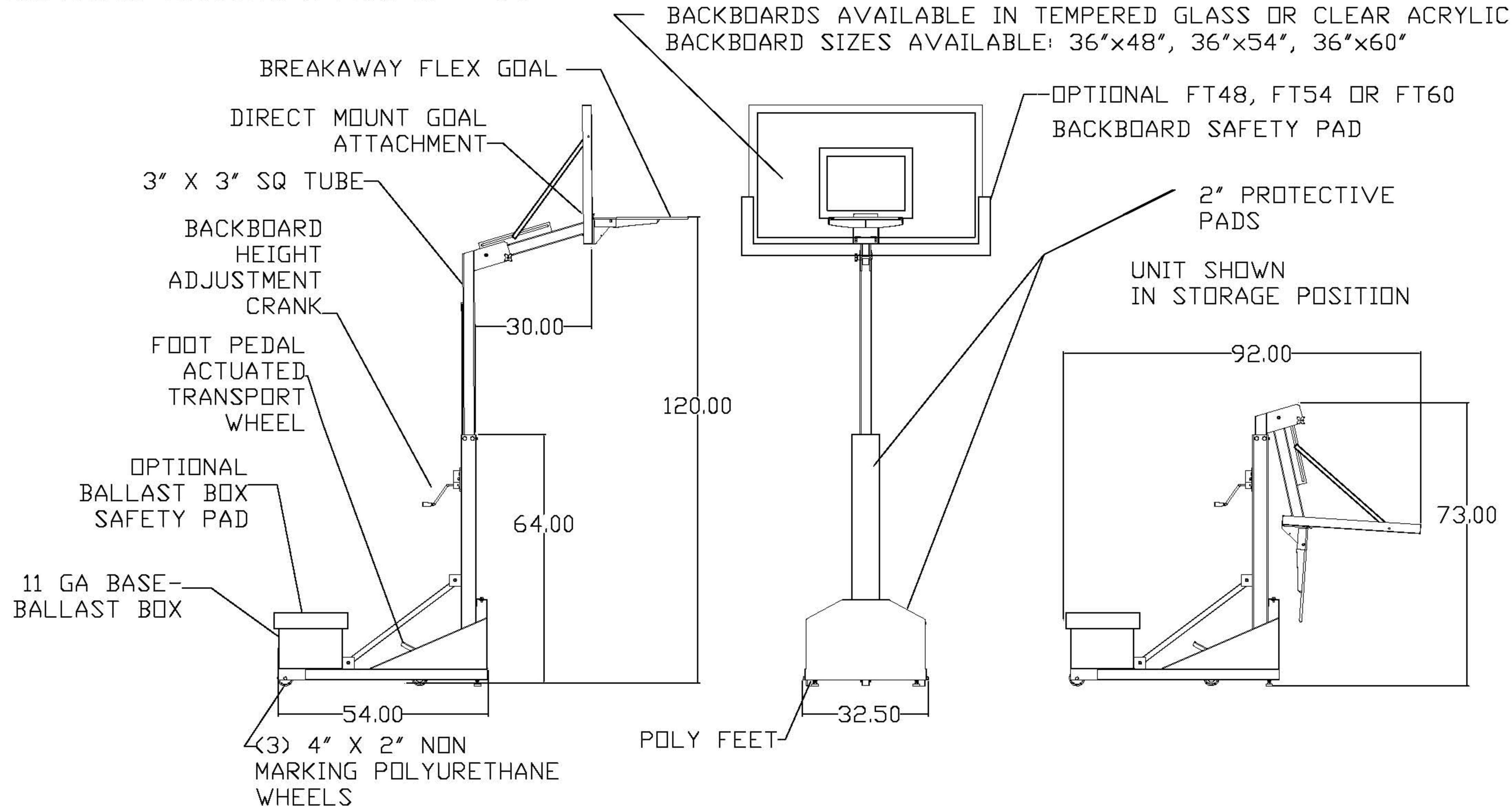
FIRST TEAM SPORTS INC.
HUTCHINSON, KS 67501

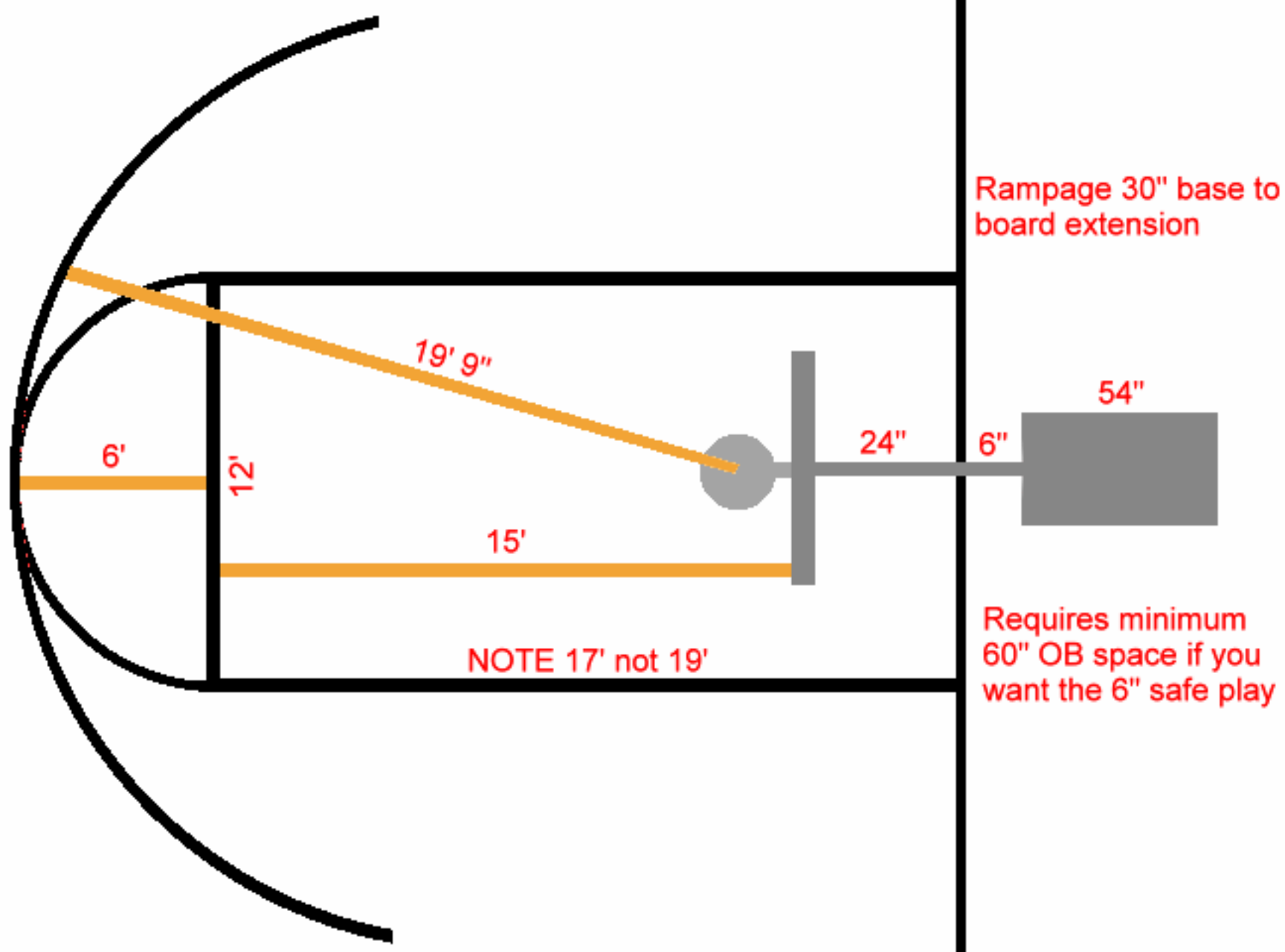
RAMPAGE PORTABLE BASKETBALL GOAL
PRODUCT SUBMITTAL

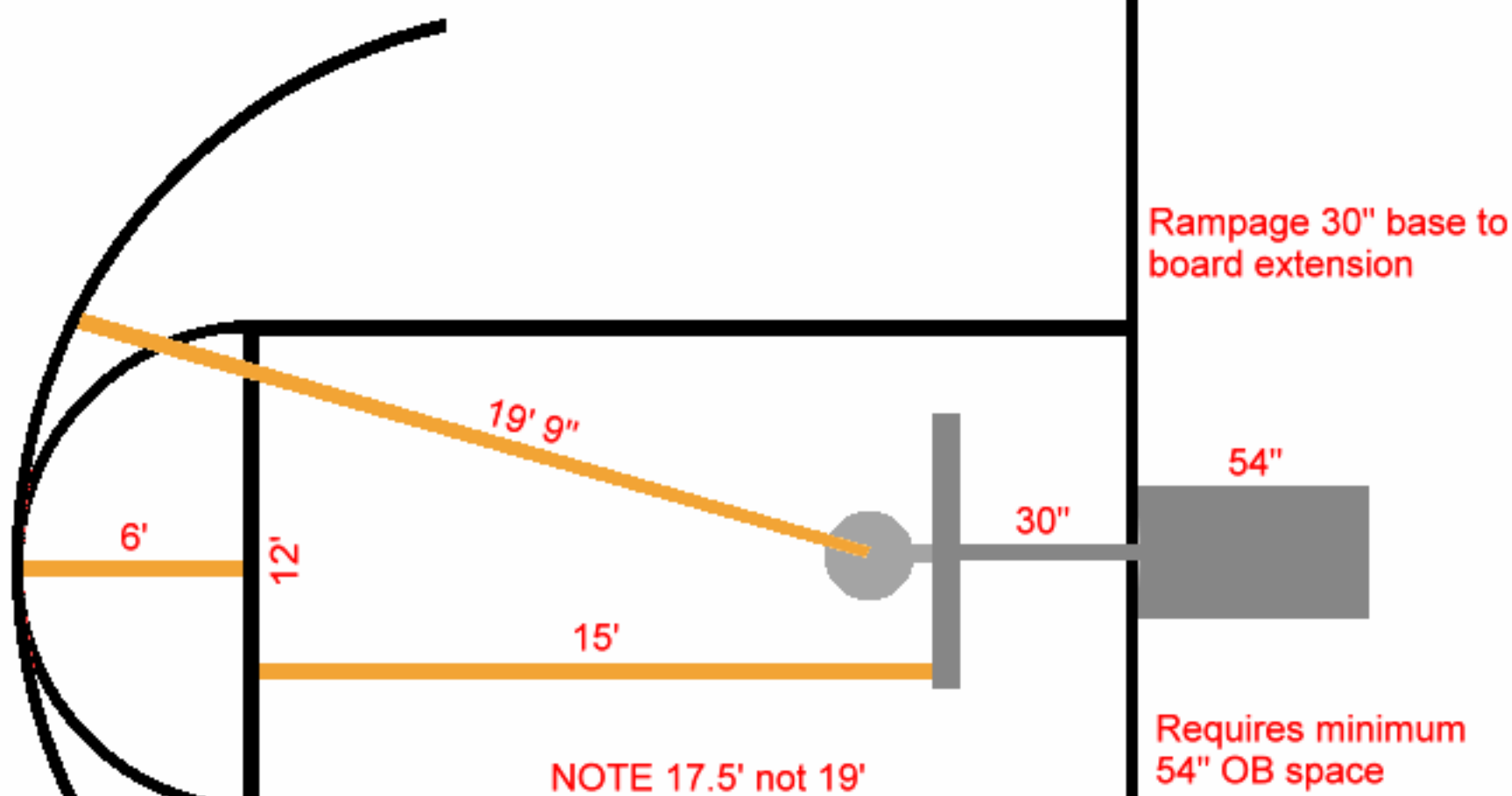
www.InstitutionalBasketballSystems.com | Tom Nicotera | 877.272.5430

RIM HEIGHT ADJUSTABLE FROM 10' - 6'6"

BACKBOARDS AVAILABLE IN TEMPERED GLASS OR CLEAR ACRYLIC
BACKBOARD SIZES AVAILABLE: 36"x48", 36"x54", 36"x60"







Rampage 30" base to board extension

54"

30"

19' 9"

15'

12'

6'

Requires minimum 54" OB space

NOTE 17.5' not 19''


www.InstitutionalBasketballSystems.com
Tom Nicotera - 877.272.5430
Call if you have any questions.
Happy to help. T



More saving. More doing.™



[View Larger](#)

	Be the first to write a review .
Write a review for a chance to win a \$250 Gift Card.	
Learn More .	

Pavestone 2 In. x 8 In. x 16 In. Red Slab

Model # 74051

Store SKU # 762156

\$1.19/EA-Each

Not Sold Online

Sold At Your Local Store

[Add to My List](#)

- Product shown is normally carried at your local store; availability may vary.
- Local store prices may vary from those displayed.

Description

2 x 8 x 16 Slabs are easy to use and very affordable. The perfect utility slab as well. Use it to create patios, walkways, or pathways.

- Multi Purpose Patio Slabs
- Easy Installation
- Utility Patio Stone
- Other Color Choices May Be Available
- MFG Brand Name : Pavestone
- MFG Model # : 74051
- MFG Part # : 74051

Specifications

- **Assembled Depth (In Inches)** : 16 in
- **Assembled Height (In Inches)** : 2 in
- **Assembled Weight (In LBS)** : 20 lb
- **Assembled Width (In Inches)** : 8 in
- **Attachable** : No
- **Color / Finish** : Red
- **Energy Star Compliant** : No
- **Height** : 2 in
- **Pattern** : No
- **Weight Capacity** : 1 lb
- **Width** : 8 in


Reviews



More saving. More doing.™



[View Larger](#)

	Be the first to write a review .
Write a review for a chance to win a \$250 Gift Card.	
Learn More .	

8 In. x 2 In. x 16 In. Top Cap - Grey

Model # 082H0190100100

Store SKU # 384313

\$0.88/EA-Each

Not Sold Online

Sold At Your Local Store

[Add to My List](#)

- Product shown is normally carried at your local store; availability may vary.
- Local store prices may vary from those displayed.

Description

Solid top cap used to finish off the top of a concrete block wall. This smooth-faced, straight-edged concrete masonry unit (CMU) is the ideal choice to enhance the design and value of your project. Precision units offer the most utility and versatility and are used primarily for fence walls and site or perimeter walls.

- Always Check Local Building Codes Before Beginning Your Project
- Easy Maintenance
- Ubc Standard No. 21-4, Grade N
- Astm C-90, Grade N
- Normal weight CMU
- Grey in color
- Solid cap block
- Precision block assumes a 3/8 In. mortar joint
- Nominal size: 8 In. width x 2 In. height x 16 In. length
- Permissible variation in overall dimensions (width, height, length) of +/- 1/8 In.
- 270 per pallet
- MFG Model # : 082H0190100100
- MFG Part # : 082H0190100100

Specifications

- **Block Size (Width x Height x Length) :** 8x2x16
- **Color / Finish :** Gray
- **Energy Star Compliant :** No
- **R Value :** 0

Reviews