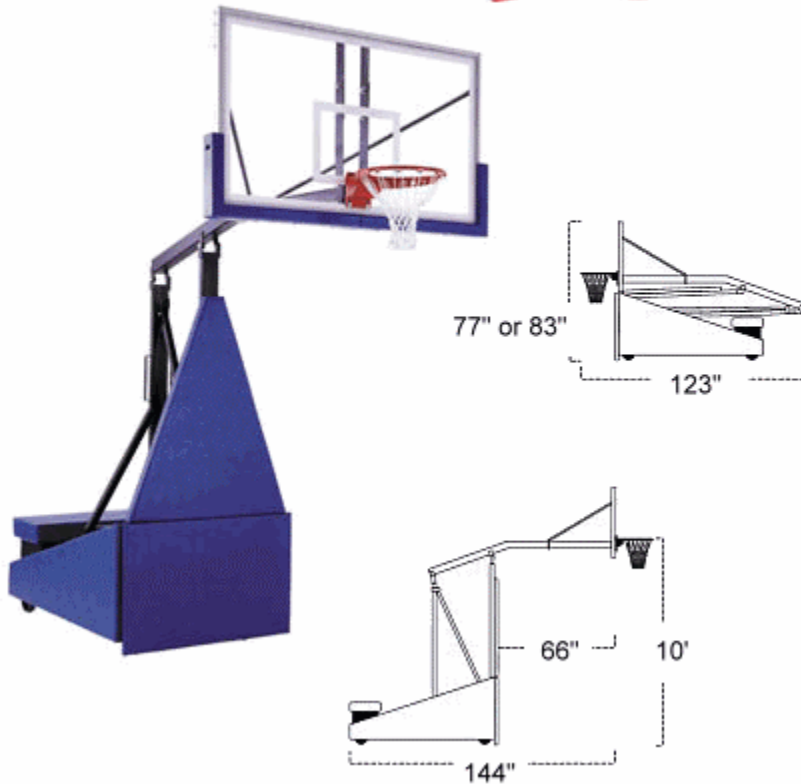


First Team

Storm System



- Optional bolt-on TuffGuard backboard padding
- Rim height adjusts for smaller players
- Safety padding covers front, side and rear of base unit
- All steel components are powder coated to protect against the elements
- 8" non-marking casters lock into position for play
- Compact and easy to roll
- Adjustable overhang extension
- Post to backboard extension is 66" at 10'
- Ballast not included. Recommended 750 lbs.

The Storm is a portable goal designed for use in a fieldhouse, a gymnasium or multipurpose facility. Height adjusts easily from 10' to 6' via the Storm's Spring Assist design. To adjust, simply pull the pin located on the adjustment rod and raise or lower the rim as needed. Heavy foam padding in an array of colors are included to protect the base and front of the unit. The Storm is extremely stable and will not tip over when a guerilla hangs on the rim! Unit rolls easily on 8" non-marking casters that lock into position when unit is in use. Backboards in several sizes are available as is optional backboard padding.

BALLAST NOT INCLUDED: This system requires a recommended 720 lbs of ballast. Recommend solid concrete blocks from local home improvement center. 24 - 4"x8"x16" blocks or like combination.

FIRST TEAM SPORTS INC.
HUTCHINSON, KS 67501

STORM PORTABLE BASKETBALL GOAL
PRODUCT SUBMITTAL

www.InstitutionalBasketballSystems.com | Tom Nicotera | 877.272.5430

UNIT ADJUSTABLE FROM 10'
TO 6' 6" IN 6" INCREMENTS

BACKBOARDS AVAILABLE IN TEMPERED GLASS OR CLEAR ACRYLIC
BACKBOARD SIZES AVAILABLE: 36"x60", 42"x72"

DIRECT MOUNT GOAL ATTACHMENT

4" SQ TUBE

OPTIONAL FT60 OR FT72C
BACKBOARD SAFETY PAD

2" PROTECTIVE
PADS
COVER FRONT AND
SIDES OF UNIT

2" X 5"
REC TUBE

UNIT SHOWN
IN STORAGE POSITION

COUNTER
WEIGHT IN
REAR OF
BASE
ASSEMBLY

95.50

114.25

120.00

78.00

18.00

48.00

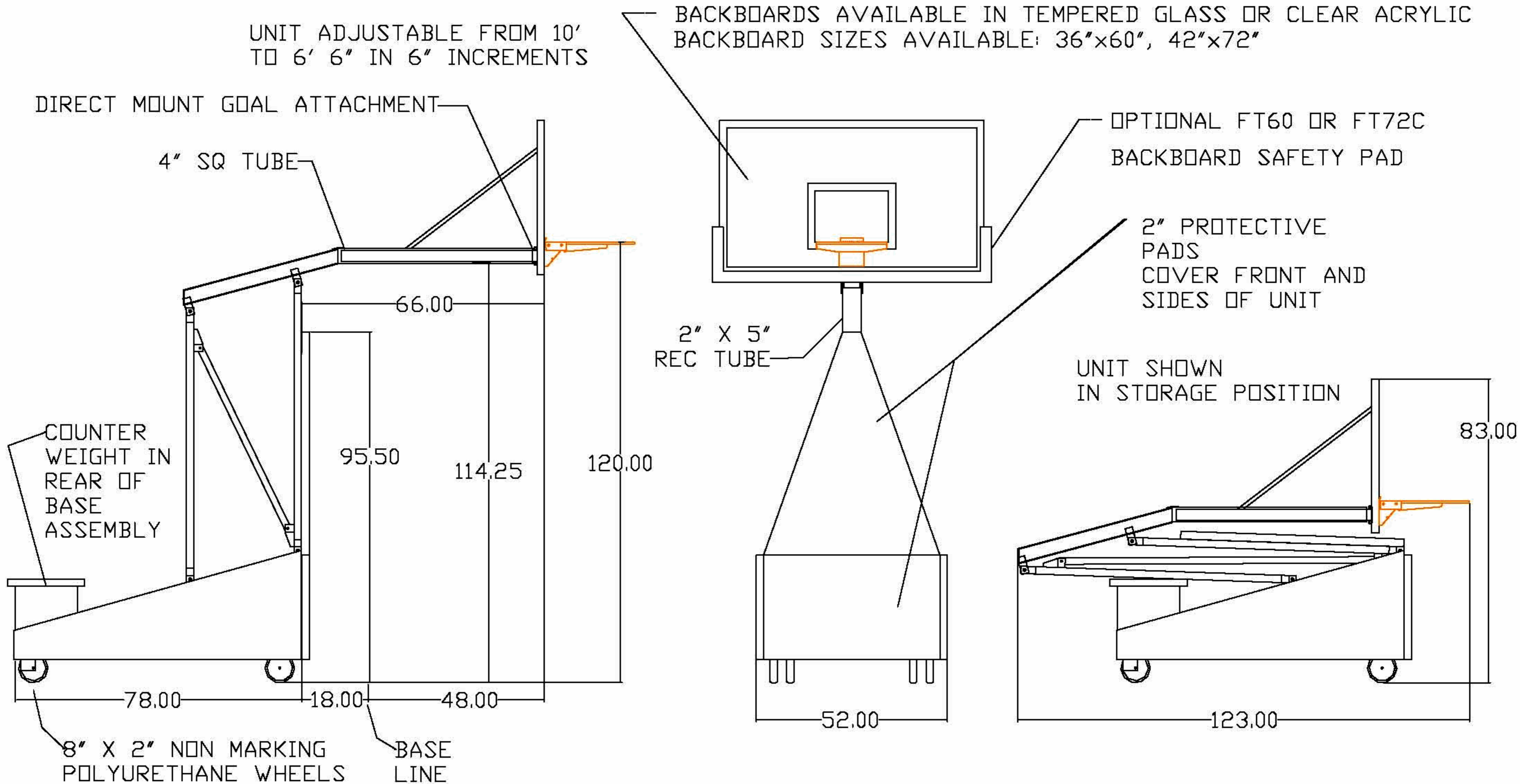
8" X 2" NON MARKING
POLYURETHANE WHEELS

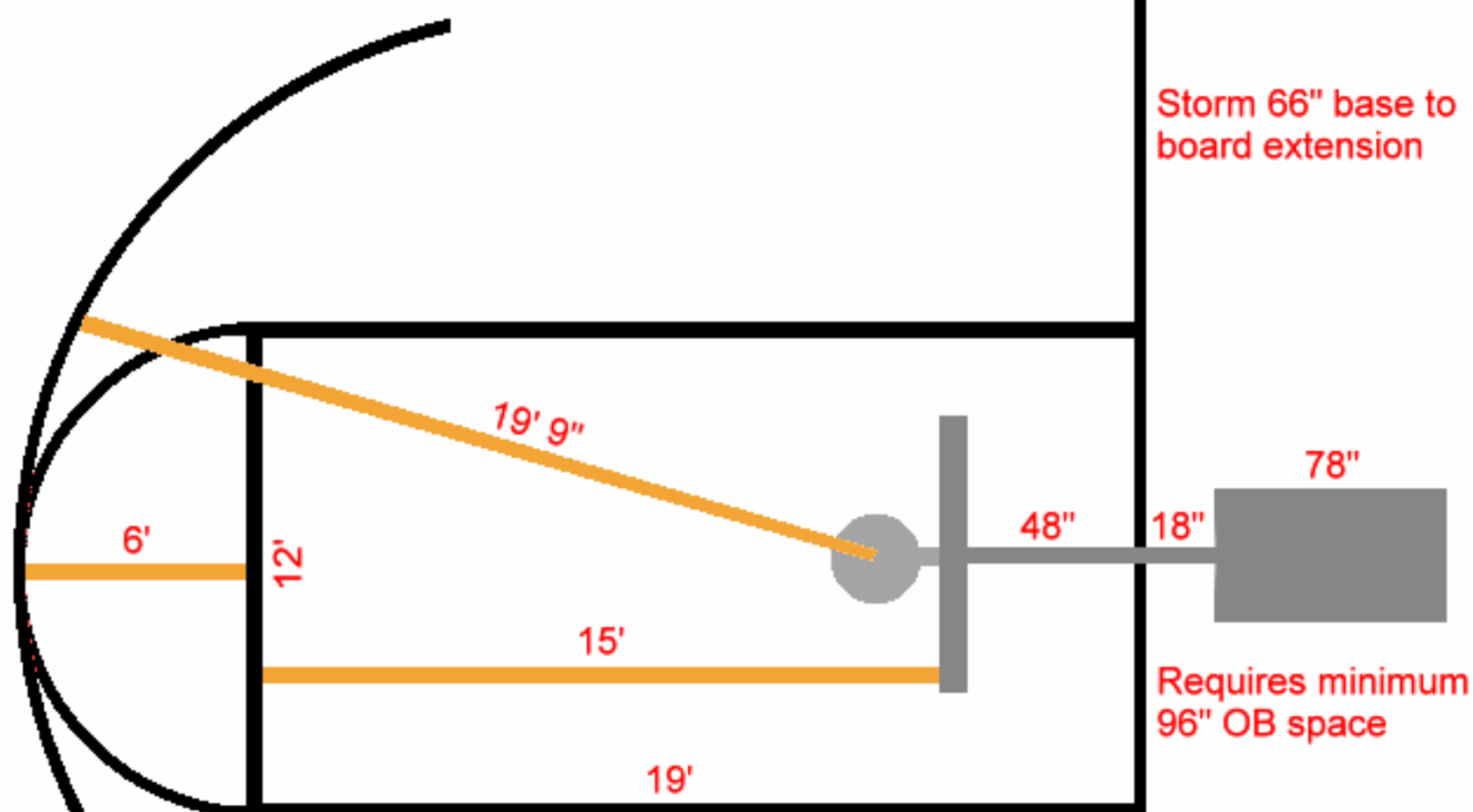
BASE
LINE

83.00

52.00

123.00






www.InstitutionalBasketballSystems.com
Tom Nicotera - 877.272.5430
Call if you have any questions.
Happy to help. T



More saving. More doing.™



[View Larger](#)

	Be the first to write a review .
Write a review for a chance to win a \$250 Gift Card.	
Learn More .	

Pavestone 2 In. x 8 In. x 16 In. Red Slab

Model # 74051

Store SKU # 762156

\$1.19/EA-Each

Not Sold Online

Sold At Your Local Store

[Add to My List](#)

- Product shown is normally carried at your local store; availability may vary.
- Local store prices may vary from those displayed.

Description

2 x 8 x 16 Slabs are easy to use and very affordable. The perfect utility slab as well. Use it to create patios, walkways, or pathways.

- Multi Purpose Patio Slabs
- Easy Installation
- Utility Patio Stone
- Other Color Choices May Be Available
- MFG Brand Name : Pavestone
- MFG Model # : 74051
- MFG Part # : 74051

Specifications

- **Assembled Depth (In Inches)** : 16 in
- **Assembled Height (In Inches)** : 2 in
- **Assembled Weight (In LBS)** : 20 lb
- **Assembled Width (In Inches)** : 8 in
- **Attachable** : No
- **Color / Finish** : Red
- **Energy Star Compliant** : No
- **Height** : 2 in
- **Pattern** : No
- **Weight Capacity** : 1 lb
- **Width** : 8 in


Reviews



More saving. More doing.™



[View Larger](#)

	Be the first to write a review .
Write a review for a chance to win a \$250 Gift Card.	
Learn More .	

8 In. x 2 In. x 16 In. Top Cap - Grey

Model # 082H0190100100

Store SKU # 384313

\$0.88/EA-Each

Not Sold Online

Sold At Your Local Store

[Add to My List](#)

- Product shown is normally carried at your local store; availability may vary.
- Local store prices may vary from those displayed.

Description

Solid top cap used to finish off the top of a concrete block wall. This smooth-faced, straight-edged concrete masonry unit (CMU) is the ideal choice to enhance the design and value of your project. Precision units offer the most utility and versatility and are used primarily for fence walls and site or perimeter walls.

- Always Check Local Building Codes Before Beginning Your Project
- Easy Maintenance
- Ubc Standard No. 21-4, Grade N
- Astm C-90, Grade N
- Normal weight CMU
- Grey in color
- Solid cap block
- Precision block assumes a 3/8 In. mortar joint
- Nominal size: 8 In. width x 2 In. height x 16 In. length
- Permissible variation in overall dimensions (width, height, length) of +/- 1/8 In.
- 270 per pallet
- MFG Model # : 082H0190100100
- MFG Part # : 082H0190100100

Specifications

- **Block Size (Width x Height x Length) :** 8x2x16
- **Color / Finish :** Gray
- **Energy Star Compliant :** No
- **R Value :** 0

Reviews