

First Team SuperMount80 Triumph



- Wall to backboard extension variable from 8'-10'
- Dense Southern Yellow Pine supports
- Safety support chains for added strength
- Solid square tubing construction with black powder-coat finish
- Optional bolt on padding
- Breakaway flex goals

The SuperMount 80 simplifies the task of installing a top quality wall-mounted basketball structure. Never before has it been so simple to purchase and install a commercial quality wall-mounted basketball system. With First Team's SuperMount 80 there is no need to calculate exact extension before ordering. The SuperMount 80 is specifically designed to provide wall-to-backboard extension distances anywhere from 8' - 10' during installation. This allows the unit to be "fine-tuned" to match the court markings on the floor. You will avoid costly rework and field modifications commonly caused by measurement errors. Additionally, the SuperMount 80 is so versatile it can be configured to match up to any basketball backboard. So, no matter what backboard you prefer, you know the SuperMount 80 is compatible.

SUPERMOUNT80 TRIUMPH - 8-10' extension structure, regulation 42x72x1/2" tempered glass board, heavy duty breakaway goal, net

Includes all mounting hardware and installation instructions.

Optional board padding in color choice.

Optional height adjuster available for 8-10' rim height adjustments.

Optional board padding available. I also have 2'x6' wall panels and custom column padding for boundary safety.

FIRST TEAM SPORTS INC.
HUTCHINSON, KS 67501

SUPERMOUNT80 BASKETBALL GOAL
PRODUCT SUBMITTAL

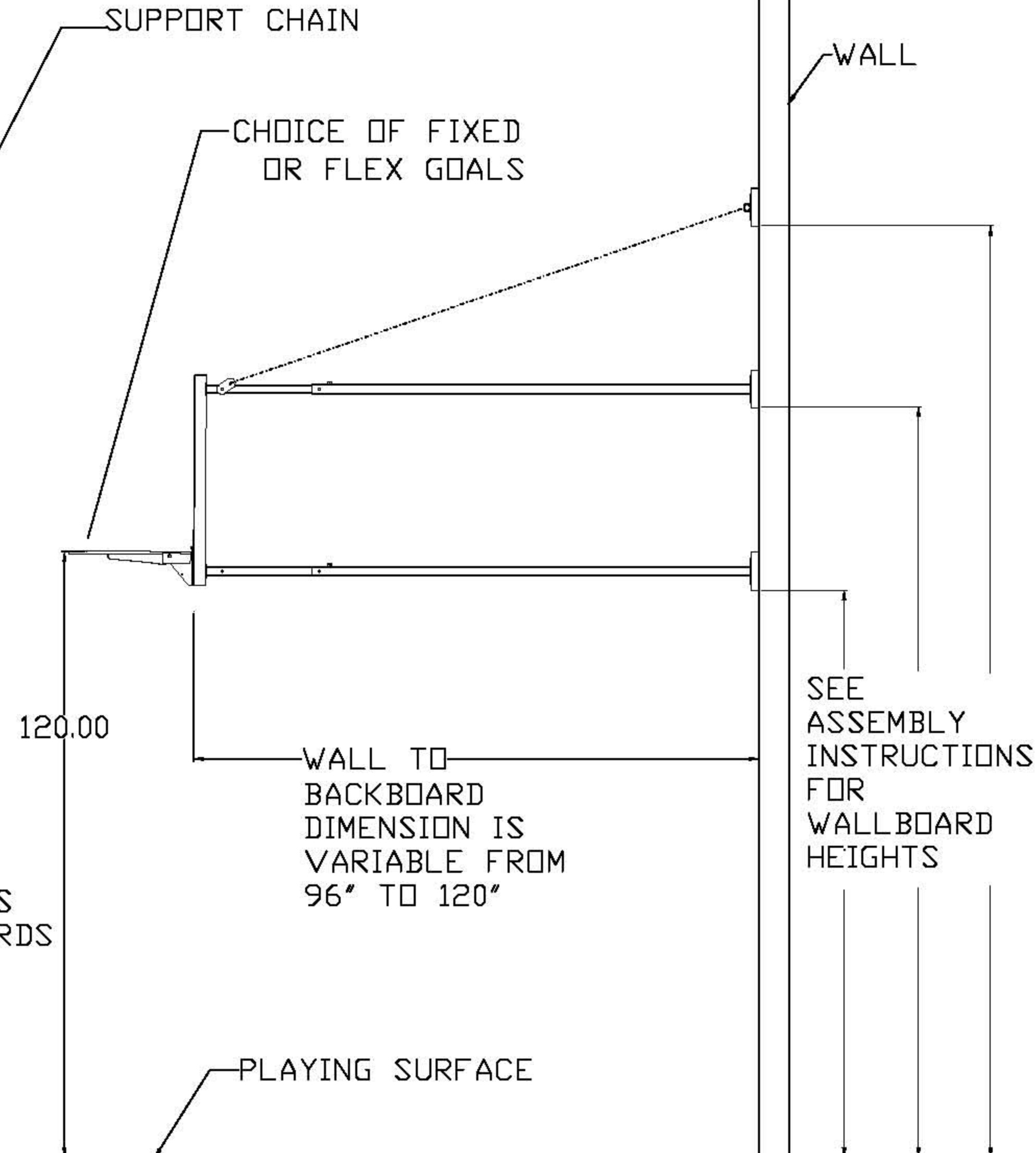
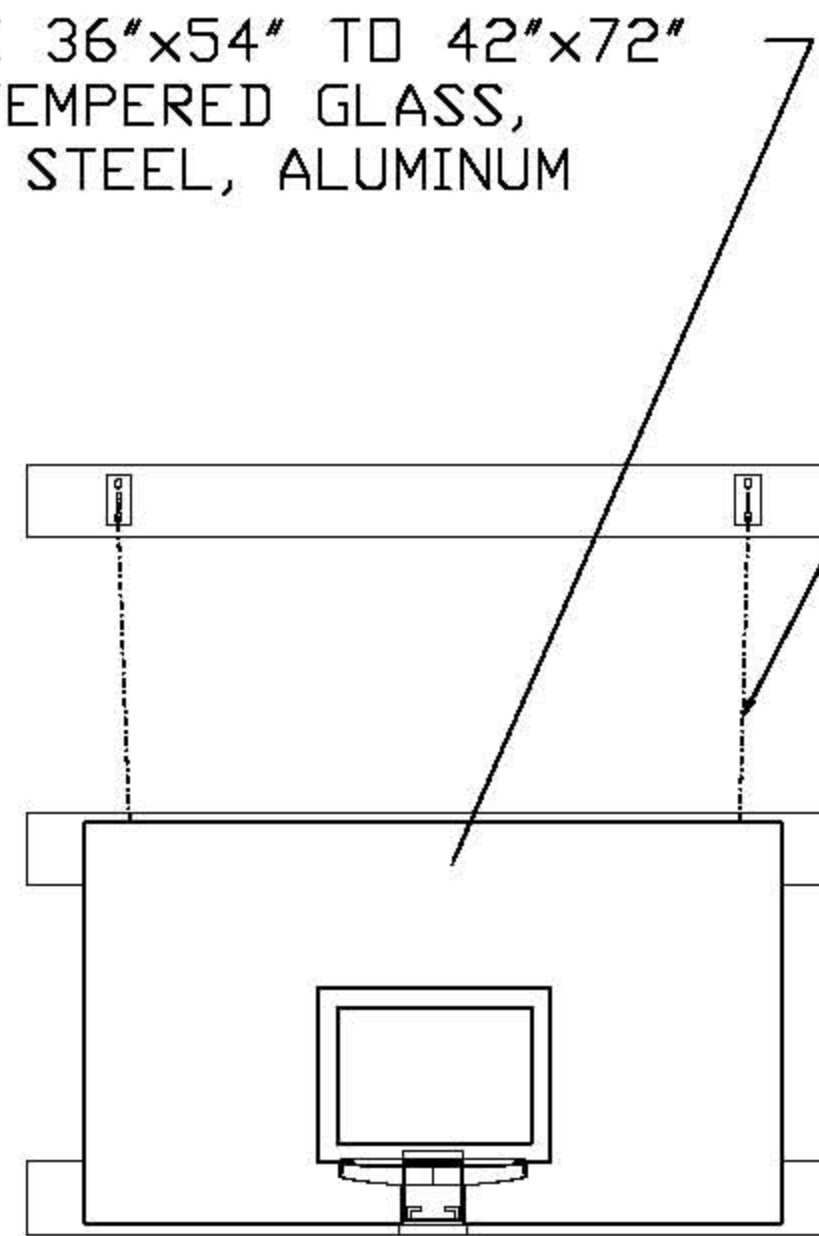
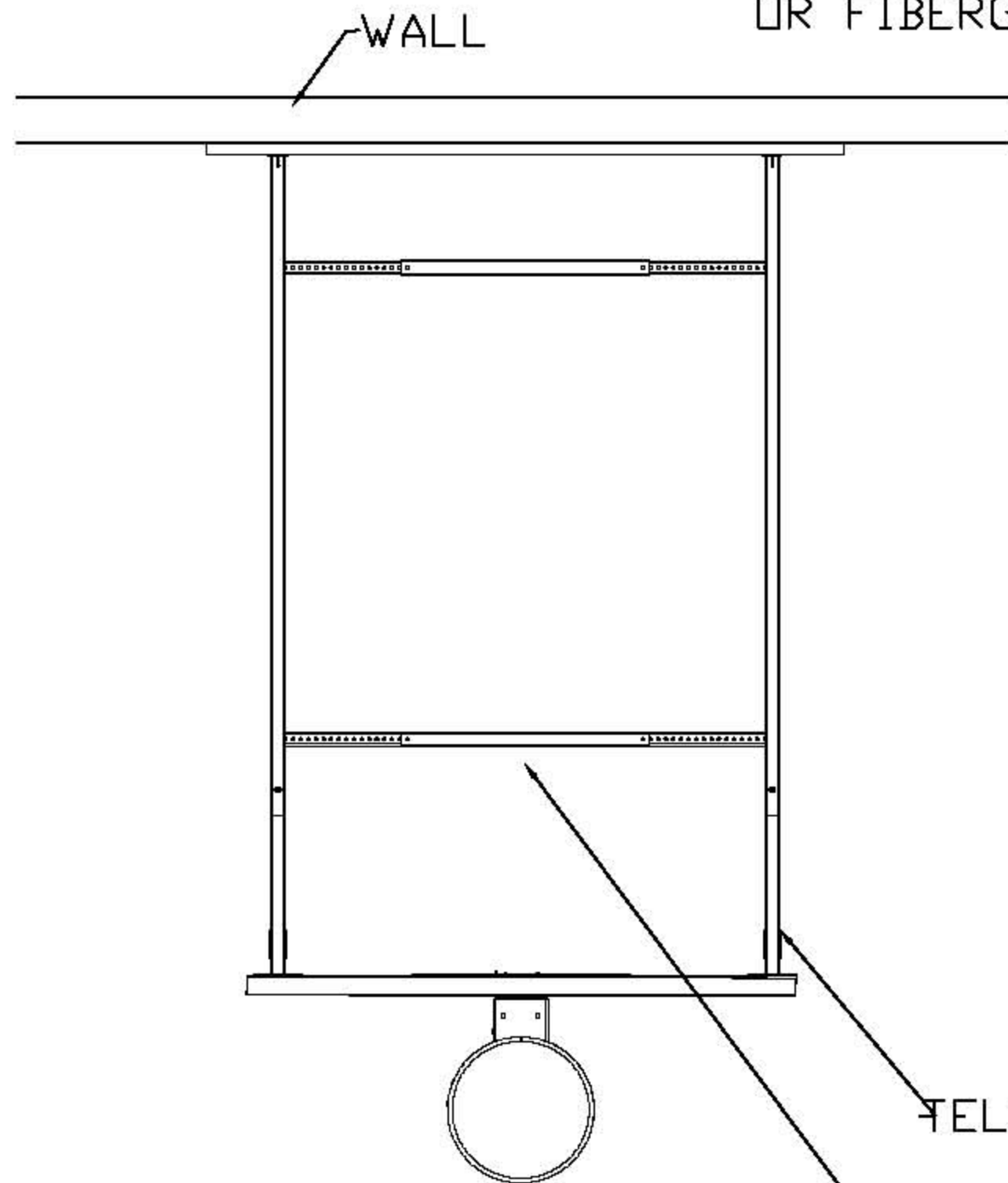
www.InstitutionalBasketballSystems.com | Tom Nicotera | 877.272.5430

TOP VIEW

FRONT VIEW

SIDE VIEW

BACKBOARD SIZE 36"x54" TO 42"x72"
AVAILABLE IN TEMPERED GLASS,
CLEAR ACRYLIC, STEEL, ALUMINUM
OR FIBERGLASS



FIRST TEAM SPORTS INC.
HUTCHINSON, KS 67501

FT310 HEIGHT ADJUSTER
PRODUCT SUBMITTAL

www.InstitutionalBasketballSystems.com | Tom Nicotera | 877-272-5430

